



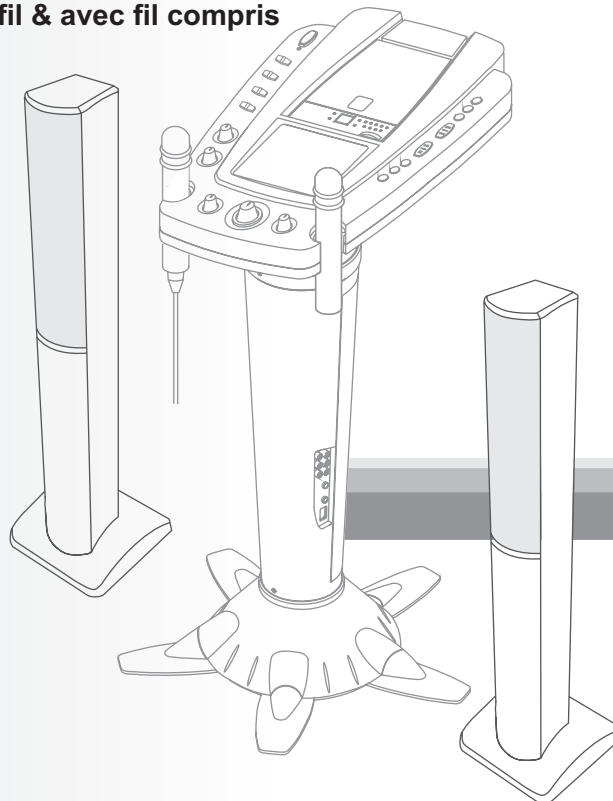
## Instruction Manual Manual De Instrucción Manuel D'instruction

*THE LEADER IN HOME KARAOKE™*

### STVG-999

- Pedestal CDG Karaoke System with built-in video camera & TV monitor. Wireless & wired microphone included.
- Base del Sistema de Karaoke con cámara de filmación integrada y Monitor de TV. Micrófono inalámbrico & con cordón incluido
- Base du Système de Karoké avec caméra vidéo encastrée et moniteur de TV . Micro sans fil & avec fil compris



Please read before using this unit.  
Lea antes de usar esta unidad.  
Veuillez lire avant d'utiliser cet appareil.



The Singing Machine® is a registered trademark of The Singing Machine Co., Inc.  
The Singing Machine® es una marca registrada de The Singing Machina Co., Inc.  
The Singing Machine® est une marque déposée de The Singing Machine Co., Inc.

## WARNINGS

**WARNING:** TO REDUCE THE RISK OF FIRE OR SHOCK HAZARD, DO NOT EXPOSE THIS PRODUCT TO RAIN OR MOISTURE.

	<b>CAUTION</b>	
RISK OF ELECTRIC SHOCK DO NOT OPEN		
<p><b>CAUTION:</b> TO PREVENT THE RISK OF ELECTRIC SHOCK, DO NOT REMOVE COVER OR BACK. NO USER-SERVICEABLE PARTS INSIDE. REFER SERVICING TO QUALIFIED PERSONNEL.</p>		

The CAUTION marking is located at the rear panel.



This symbol is intended to alert you of the presence of un-insulated dangerous voltage within the product's enclosure that might be of sufficient magnitude to constitute a risk of electric shock. Do not open the product's case.



This symbol is intended to inform you that important operating and maintenance instructions are included in the literature accompanying this product.



**RISK OF FIRE - REPLACE FUSE AS MARKED**

### CAUTION

TO PREVENT ELECTRIC SHOCK, MATCH WIDE BLADE OF PLUG TO WIDE SLOT, FULLY INSERT.

### DRIPPING WARNING

The product shall not be exposed to dripping or splashing and that no objects filled with liquids, such as vases, shall be placed on the product.

### VENTILATION WARNING

The normal ventilation of the product shall not be impeded for intended use.

This CD player is made and tested to meet exacting safety standards. It meets FCC requirements and complies with safety performance standards of the U.S. Department of Health and Human Services.

### Warnings:

- This CD player employs a laser light beam. Only a qualified service person should remove the cover or attempt to service this device, due to possible eye injury.
- The use of controls, adjustments, or procedures other than those specified herein might result in hazardous radiation exposure.
- The apparatus shall be used in an open area.

### CAUTION

This compact disc player is classified as a CLASS 1 LASER product. The CLASS 1 LASER PRODUCT label is located at the rear panel.



### CAUTION!

Invisible laser radiation when open and inter locks defeated. Avoid exposure to beam.

### IMPORTANT

Since CD circuitry may cause interference to other radio tuners nearby, switch this unit off when not in use or move it away from the affected radio tuner.


**This class[B] digital apparatus complies with Canadian ICES-003.**

## WARNINGS

NOTE: This digital apparatus does not exceed the Class B limits for radio noise emissions from digital apparatus as set out in the Radio Interference Regulations of Industry Canada. These limits are designed to provide reasonable protection against harmful interference in a residential installation. This equipment generates, uses and can radiate radio frequency energy and, if not installed and used in accordance with the instructions, may cause harmful interference to radio communications. However, there is no guarantee that interference will not occur in a particular installation. If this equipment does cause harmful interference to radio or television (which can be determined by turning the equipment off), the user is encouraged to try to correct the interference by one or more of the following measures:

- Reorient or relocate the receiving antenna.
- Increase the separation between the equipment and receiver.
- Connect the equipment into an outlet on a circuit different from that to which the receiver is connected.
- Consult the dealer or an experienced radio / TV technician for help.

## IMPORTANT SAFETY INSTRUCTIONS

1. **Read Instructions** - All the safety and operating instructions should be read before the product is operated.
2. **Retain Instructions** - The safety and operating instructions should be retained for future reference.
3. **Heed Warnings** - All warnings on the product and in the operating instructions should be adhered to.
4. **Follow Instructions** - All operating and use instructions should be followed.
5. **Cleaning** - Unplug this product from the wall outlet before cleaning. Do not use liquid cleaners or aerosol cleaners. Use a damp cloth for cleaning the exterior only. Do NOT attempt to clean the inside.
6. **Attachments** - Do not use attachments not recommended by the product manufacturer as they may cause hazards.
7. **Water and Moisture** - Do not use this product near water - for example, near a bath tub, wash bowl, kitchen sink, or laundry tub; in a wet basement, or near a swimming pool, and the like.
8. **Accessories** - Do not place this product on an unstable cart, stand, tripod, bracket, or table. The product may fall, causing serious injury to a child or adult, and serious damage to the product. Use only with a cart, stand, tripod, bracket, or table recommended by the manufacturer, or sold with the product. Any mounting of the product should follow the manufacturer's instructions, and should use a mounting accessory recommended by the manufacturer.
9. A product and cart combination should be moved with care. Quick stops, excessive force, and uneven surfaces may cause the appliance and cart Combination to overturn.
 
10. **Ventilation** - Slots and openings in the cabinet are provided for ventilation and to ensure reliable operation of the product and to protect it from overheating, and these openings must not be blocked or covered. The openings should never be blocked by placing the product on a bed, sofa, rug, or other similar surface. This product should not be placed in a built-in installation such as a bookcase or rack unless proper ventilation is provided.
11. **Power Sources** - This product should be operated only from the type of power source indicated on the marking label. If you are not sure of the type of power supply to your home, consult your product dealer or local power company. For products intended to operate from battery power, or other sources, refer to the operating instruction.
12. **Grounding or Polarization** - This product may be equipped with a polarized alternating current line plug (a plug having one blade wider than the other). This plug will fit into the power outlet only one way. This is a safety feature. If you are unable to insert the plug fully into the outlet, try reversing the plug. If the plug should still fail to fit, contact your electrician to replace your obsolete outlet. Do not defeat the safety purpose of the polarized plug.
 

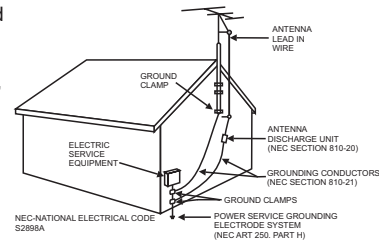
**Alternate Warnings** - This product may be equipped with a three-wire grounding-type plug, a plug having a third (grounding) pin. This plug will only fit into a grounding-type power outlet. This is a safety feature. If you are unable to insert the plug into the outlet, contact your electrician to replace your obsolete outlet. Do not defeat the safety purpose of the grounding-type plug.

## IMPORTANT SAFETY INSTRUCTIONS

**13. Power-Cord Protection** - Power supply cords should be routed so that they are not likely to be walked on or pinched by items placed upon or against them, paying particular attention to cords at plugs, convenience receptacles, and the point where they exit from the product.

**14. Protective Attachment Plug** - The product is equipped with an attachment plug having overload protection. This is a safety feature. See Instruction Manual for replacement or resetting of protective device. If replacement of the plug is required, be sure the service technician has used a replacement plug specified by the manufacturer that has the same overload protection as the original plug.

**15. Outdoor Antenna Grounding** - If an outside antenna is connected to the receiver, be sure the antenna system is grounded so as to provide some protection against voltage surges and built-up static charges. Article 810 of the National Electrical Code, ANSI/NFPA 70, provides information with regard to proper grounding of the mast and supporting structure, grounding of the lead-in wire to an antenna-discharge unit, size of grounding conductors, location of antenna-discharge unit, connection to grounding electrodes, and requirements for the grounding Electrode. See figure:



**16. Lightning** - For added protection for this product during a lightning storm, or when it is left unattended and unused for long periods of time, unplug it from the wall outlet and disconnect the antenna or cable system. This will prevent damage to the product due to lightning and power-line surges.

**17. Power Lines** - An outside antenna system should not be located in the vicinity of overhead power lines or other electric light or power circuits, or where it can fall into such power lines or circuits. When installing an outside antenna system, extreme care should be taken to keep from touching such power lines or circuits as contact with them might be fatal.

**18. Overloading** - Do not overload wall outlets, extension cords, or integral convenience receptacles as this can result in a risk of fire or electric shock.

**19. Object and Liquid Entry** - Never push objects of any kind into this product through openings as they may touch dangerous voltage points or short-out parts that could result in a fire or electric shock. Never spill liquid of any kind on the product.

**20. Servicing** - Do not attempt to service this product yourself as opening or removing covers may expose you to dangerous voltage or other hazards. Refer all servicing to qualified service personnel.

**21. Damage Requiring Service** - Unplug this product from the wall outlet and refer servicing to qualified service personnel under the following conditions:

- When the power-supply cord or plug is damaged,
- If liquid has been spilled, or objects have fallen into the product,
- If the product has been exposed to rain or water,
- If the product does not operate normally by following the operating instructions. Adjust only those controls that are covered by the operating instructions as an improper adjustment of other controls may result in damage and will often require extensive work by a qualified technician to restore the product to its normal operation.
- If the product has been dropped or damaged in any way, and
- When the product exhibits a distinct change in performance - this indicates a need for service.

**22. Replacement Parts** - When replacement parts are required, be sure the service technician has used replacement parts specified by the manufacturer or have the same characteristics as the original part. Unauthorized substitutions may result in fire, electric shock, or other hazards.

**23. Safety Check** - Upon completion of any service or repairs to this product, ask the service technician to perform safety checks to determine that the product is in proper operating condition.

**24. Wall or Ceiling Mounting** - The product should be mounted to a wall or ceiling only as recommended by the manufacturer.

**25. Heat** - The product should be situated away from heat sources such as radiators, heat registers, stoves, or other products (including amplifiers) that produce heat.

## **INTRODUCTION**

Your Pedestal CD/CDG Karaoke System will provide you with fun and entertainment. You will be the “star” while singing with your favorite recordings as well as listening to your voice with the music through the system’s speakers.

This karaoke center is compact and designed to include many features, yet it is easy to use. After just a few simple instructions, you will become an expert. Before you attempt to use your unit, please read this manual thoroughly to familiarize yourself with all the features available and the sections of the manual that describe their operation. Next, go to the section for the specific operation you wish to perform.

For your easy reference, listed here are some of the main features of this karaoke center:

**Lyrics on TV screen** - displays the lyrics with the tempo of music when playing CD+G discs.

**Auto Voice Control (A.V.C.)** - lets you replace the original singer's voice with your own voice when any prerecorded, multiplex disc is played. To activate, just rotate mic volume to a comfortable listening level, and Auto Voice Control for the best balance between playback and microphone levels.

**Balance Control** - lets you adjust the balance between the prerecorded original singer's voice and the music when using a multiplex karaoke disc.

**Echo Control** - lets you add an echo to enrich your voice for a concert hall effect.

**Master Volume Control** - lets you turn the volume control clockwise or counter - clockwise until desired volume level is obtained.

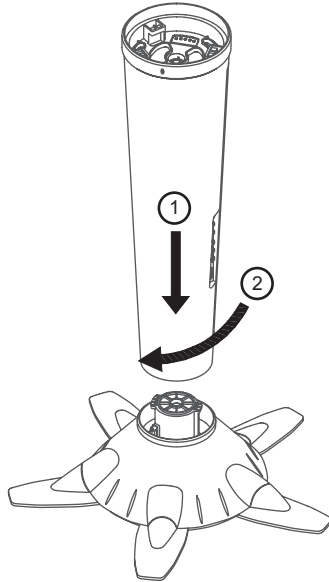
**KaraokeVision™** - lift up camera lens to display your image on the Singing Machine’s monitor or TV.

**Built - In Speaker** - lets you share the music with your family or friends.

**Auxiliary Output Jacks** - allows you to connect another audio output component, such as an equalizer/booster or a PA system.

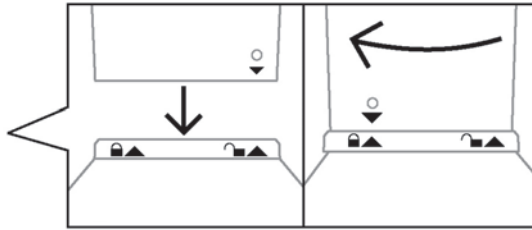
**Headphone Jack** - allows you connect headphones as an alternative to listening through the system’s built-in speakers.

## INSTALLATION



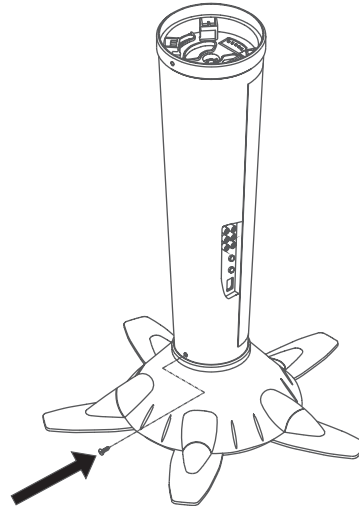
### STEP 1

1. Join the speaker (middle) into the stand (bottom) according to the installation illustration.



### STEP 2

2. Tighten a self tapping screw at the bottom of the speaker (middle).

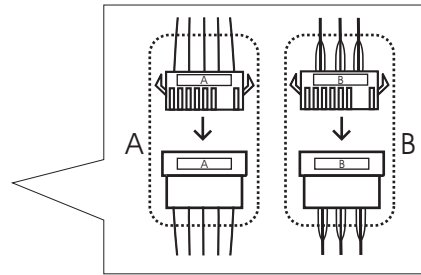
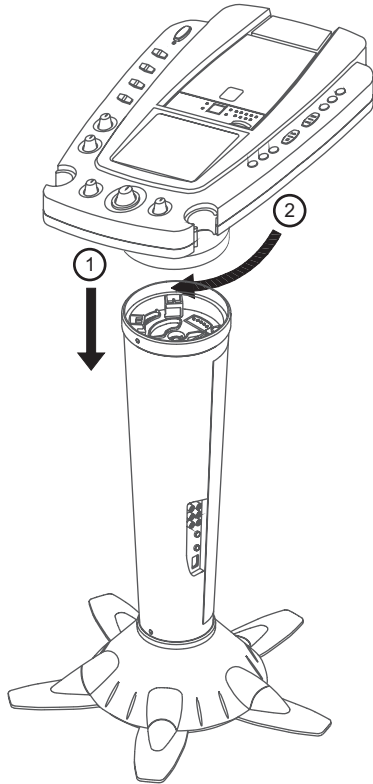


## INSTALLATION

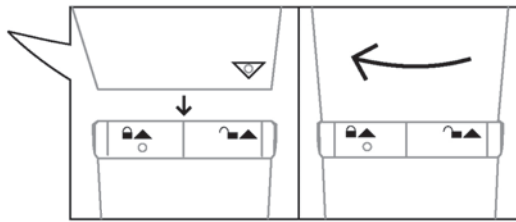
ENGLISH

### STEP 3

3. Join the control panel (top) into the speaker (middle) according to the installation illustration.

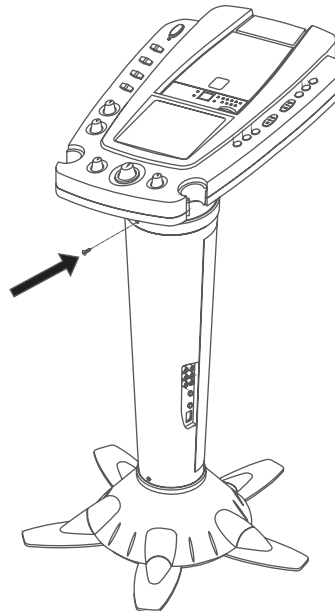


Following the labels (A to A & B to B) to plug the connectors.

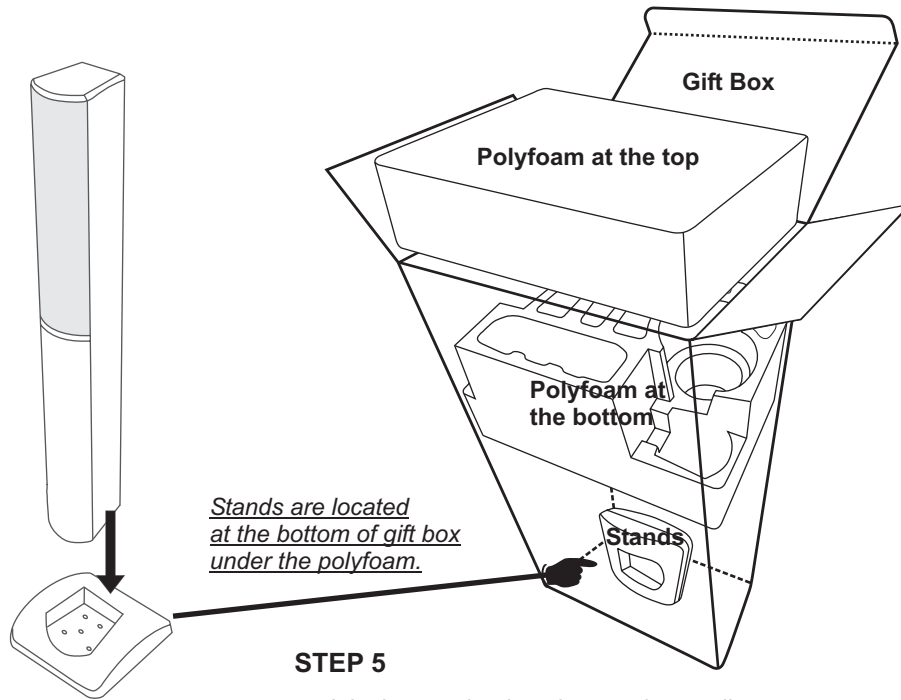


### STEP 4

4. Tighten a self tapping screw at the control panel (top).

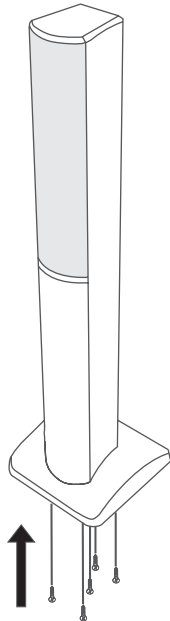


## INSTALLATION INSTRUCTIONS FOR TOWER SPEAKERS



### STEP 5

5. Join the speaker into the stand according to the installation illustration.



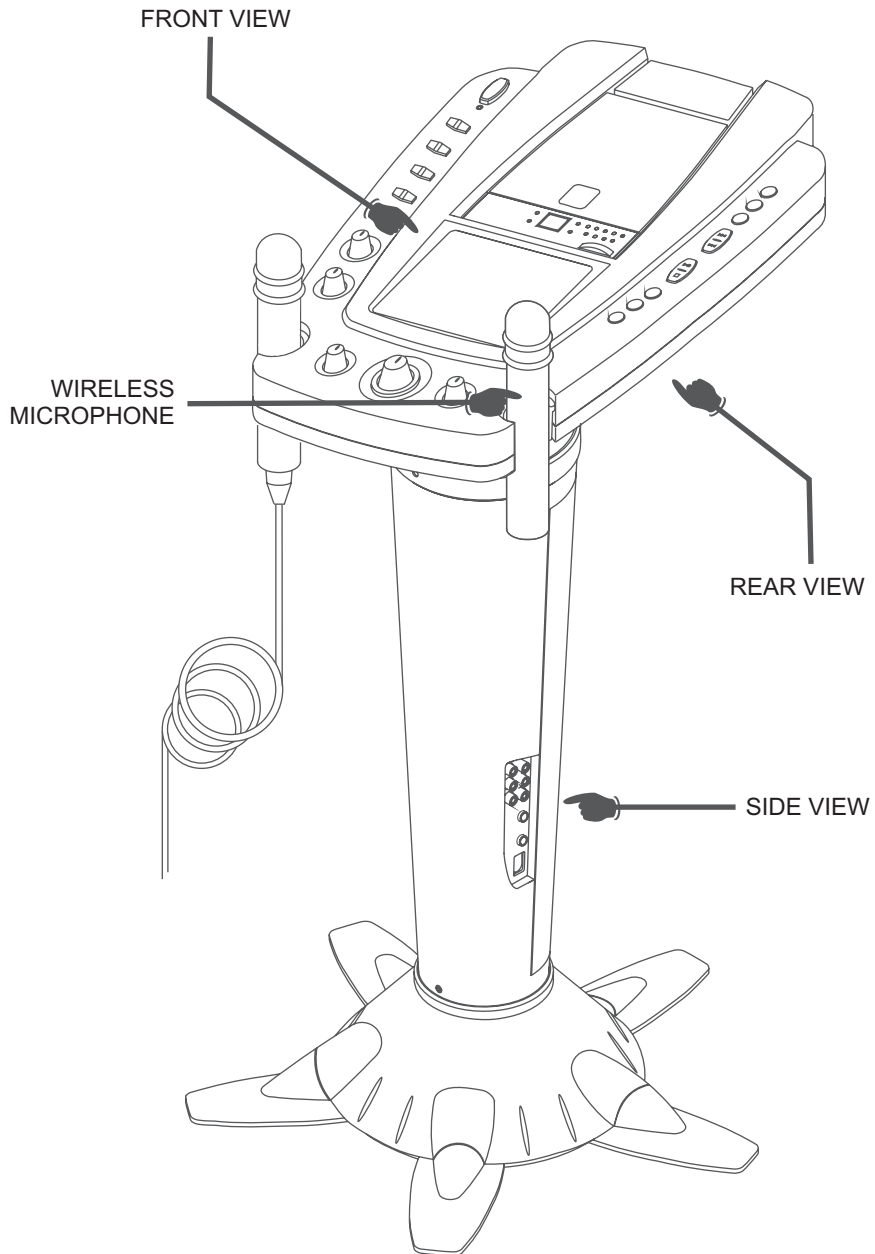
### STEP 6

6. Tighten five screws at the bottom of the speaker.

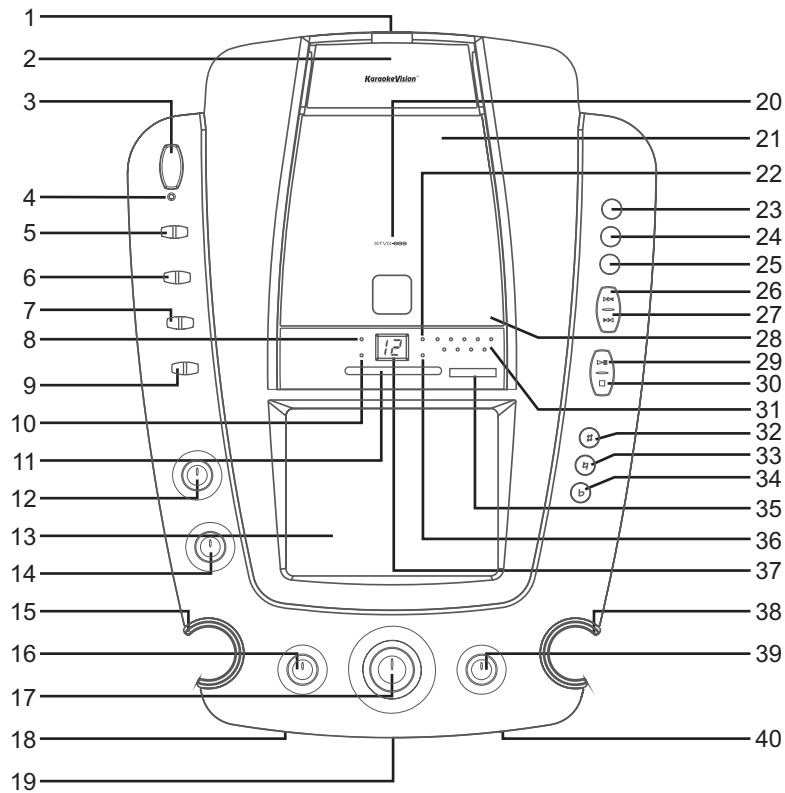
## CONTROL LOCATIONS

See control locations as indicated on the next few pages.

ENGLISH



## CONTROL LOCATIONS

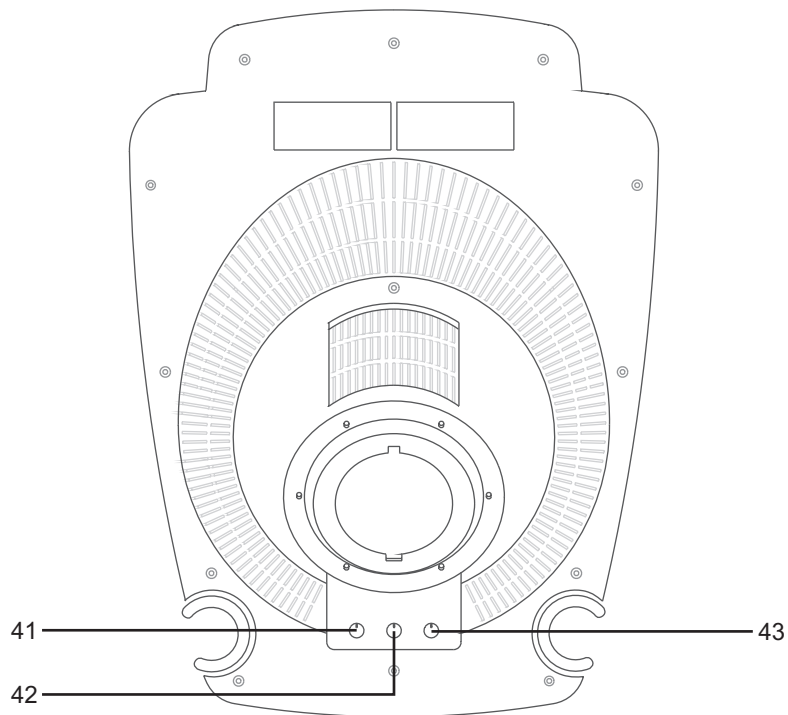


### FRONT VIEW

- |                            |                        |                        |
|----------------------------|------------------------|------------------------|
| 1. Camera Lens Open Button | 13. Monitor            | 27. SKIP Button ◀◀     |
| 2. Adjustable Camera Lens  | 14. BALANCE Control    | 28. OPEN/CLOSE Point   |
| 3. ON/OFF Button           | 15. MIC Holder         | 29. PLAY/PAUSE Button  |
| 4. ON/OFF LED              | 16. ECHO Control       | 30. STOP Button        |
| 5. Monitor Selector        | 17. MIC VOLUME Control | 31. Key Control LED    |
| 6. Video Out Selector      | 18. MIC 1 Jack         | 32. Key High           |
| 7. BAND Selector           | 19. HEADPHONE Jack     | 33. Key Flat           |
| 8. PROGRAM LED             | 20. Model Number       | 34. Key Low            |
| 9. Function Selector       | 21. CD Door            | 35. TUNING Knob        |
| 10. REPEAT LED             | 22. PLAY/PAUSE LED     | 36. CDG LED            |
| 11. Dial Pointer           | 23. PROGRAM Button     | 37. LED Display        |
| 12. MASTER VOLUME Control  | 24. REPEAT Button      | 38. MIC Holder         |
|                            | 25. RANDOM Button      | 39. AUTO VOICE CONTROL |
|                            | 26. SKIP Button ▶▶     | 40. MIC 2 Jack         |

## **CONTROL LOCATIONS**

**ENGLISH**

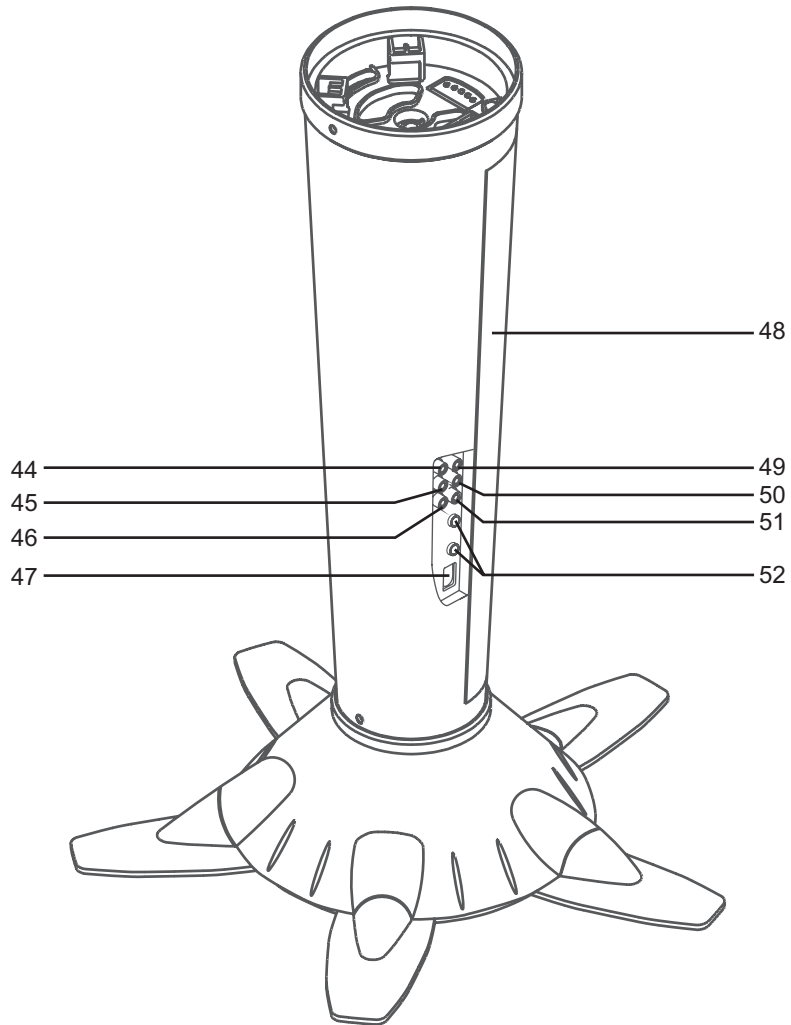


### **REAR VIEW**

41. BRIGHTNESS Control  
42. CONTRAST Control

43. VERTICAL HOLD Control

## CONTROL LOCATIONS



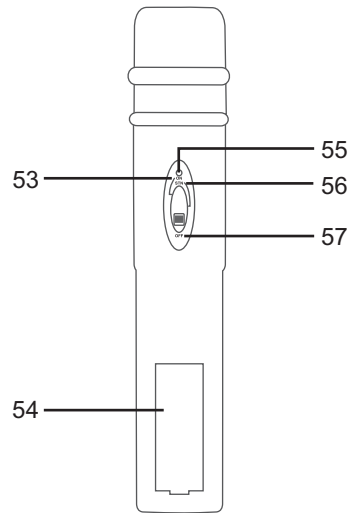
### **SIDE VIEW**

- 44. AUX INPUT Jack (R)
- 45. AUX INPUT Jack (L)
- 46. VIDEO IN Jack
- 47. AC Power Cord Jack
- 48. Speaker

- 49. AUX OUTPUT Jack (R)
- 50. AUX OUTPUT Jack (L)
- 51. VIDEO OUT Jack
- 52. Speaker Jack (R/L)

## WIRELESS MICROPHONE CONTROL LOCATIONS

ENGLISH



### WIRELESS MICROPHONE

53. ON Position

54. Battery Compartment

55. LED Indicator

56. STANDBY Position

57. OFF Position

## MAKING THE CONNECTIONS

### CONNECTING POWER

You can power the system from a standard AC outlet by using the supplied power cord.

**CAUTION:** The supplied AC power cord has a polarized plug that fits into the wall outlet only one way. If the plug does not fit properly, turn it over and try again. Do not force it.

### CONNECTING TO YOUR HEADPHONE

A headphone jack is provided for using headphones instead of the built-in speaker. (Headphones are sold separately.)

### CONNECTING TO YOUR TV

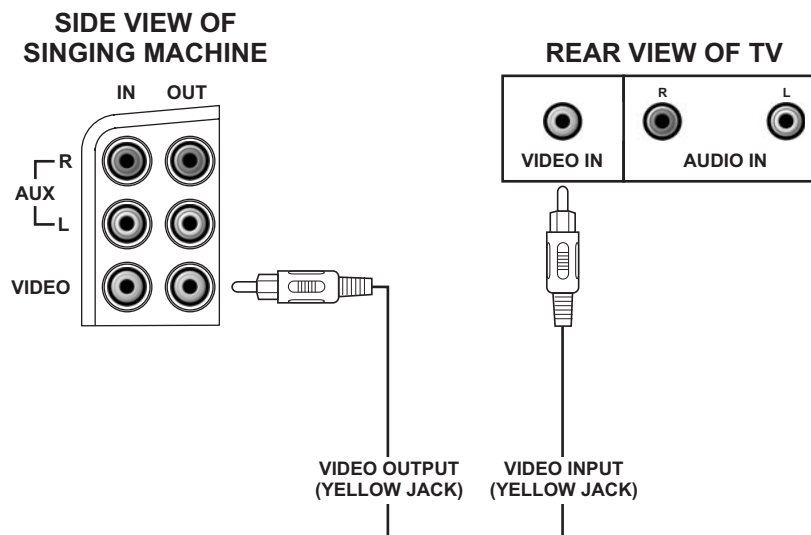
The Singing Machine includes a patch cord to provide you the option of either connecting an external audio/sound system and/or video device. The patch cord has three RCA plugs at each end; the White and Red are for left and right audio connections, the Yellow is to connect the video.

It is recommended that a CDG disc is playing while connecting your TV or VCR. The display of the Singing Machine logo or lyrics on your TV screen will insure you have connected your TV or VCR properly.

### VIDEO CONNECTION

Please follow the steps below to display CDG lyrics on the TV screen:

- (1) Locate the multicolored patch cords.
- (2) Connect video cable (yellow) to the Video Out jack on the side of the Singing Machine.
- (3) Connect the other end of the Video Cable (yellow) to the Video Input on your TV or VCR.



## **MAKING THE CONNECTIONS**

If your television or VCR does not have the required Video Input, you will need an RF Modulator (Radio Frequency Modulator), which connects through your TV Antenna or cable line and serves as Video Input.

An RF Modulator can be purchased at almost any consumer electronics retailer. If you are connecting the video from the Singing Machine to either a television or a VCR video input jack, you must specify the source the TV or VCR is to display. Your TV or VCR user guide can tell you how to display the video signal from the 'Video In' jack.

If you don't have the manual for your TV or VCR, we suggest calling the TV or VCR, manufacturer's customer service department. Only the manufacturer will be able to tell you very quickly how to configure your TV or VCR to display the video signal coming from the 'Video Input' jack.

\* Note: Some projection TV sets do not properly display the standard blue background when using most CDGs. If the background color is inconsistent or flashing, please try connecting your Singing Machine to a standard tube television.

### **COMMON WAYS TO CONFIGURE YOUR TV OR VCR**

Your Singing Machine is designed to connect to your TV the same way you would connect a video camera, VCR or video game. The Singing Machine is constantly sending the video and audio signals to the 'Video Out' and 'AUX OUT' jacks whenever you play a CDG. We recommend playing a CDG on your Singing Machine prior to making these connections. You will have the ability to view lyrics on your TV screen as soon as you complete the set up correctly.

We refer to TV/VCR because manufacturers use very similar ways to connect TVs and VCRs and you can connect your Singing Machine to a TV, VCR or satellite system (contact your satellite company for instructions). The setup of your TV/VCR is the most difficult part of making the connection for displaying your Singing Machine lyrics. In most homes, the TV has either a cable connected or antennae in use. Once you connect your Singing Machine to the TV/VCR, choose the correct input on your TV/VCR to display lyrics from The Singing Machine instead of the usual input from the cable or antennae.

Check your TV/VCR user manual for the easiest way to setup your particular entertainment system. If you don't have your manual please contact your TV/VCR manufacturer for information either by phone or by viewing their website for online assistance. We've listed below the most common ways of setting up a TV/VCR:

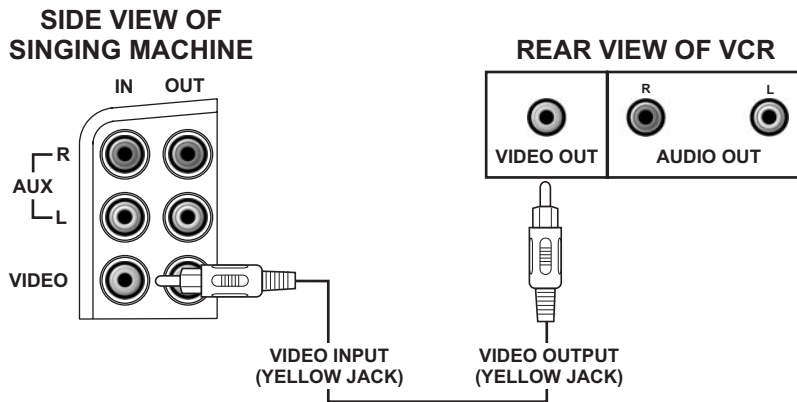
- (1) In the setup menu for configuring the TV/VCR there may be an option on 'Input Selection' where you may choose between 'Cable/Ant', 'Video 1', or 'Video 2' etc. as the input source.
- (2) Try looking for a 'Video' channel between the highest channel and the lowest channel on your TV or VCR. (i.e. between 99 and 2 also could be one of the following: 'VIDEO', 'INPUT' or 'GAME')
- (3) Look for a button on the remote control for the TV/VCR you are connecting to which notes 'VIDEO', 'VIDEO 1', 'Game', 'AUX', 'EXT', 'LINE1', 'LINE-IN' or occasionally the 'VCR' button will display the Video input source.

## MAKING THE CONNECTIONS

### CONNECTING A VIDEO COMPONENT FOR INPUT

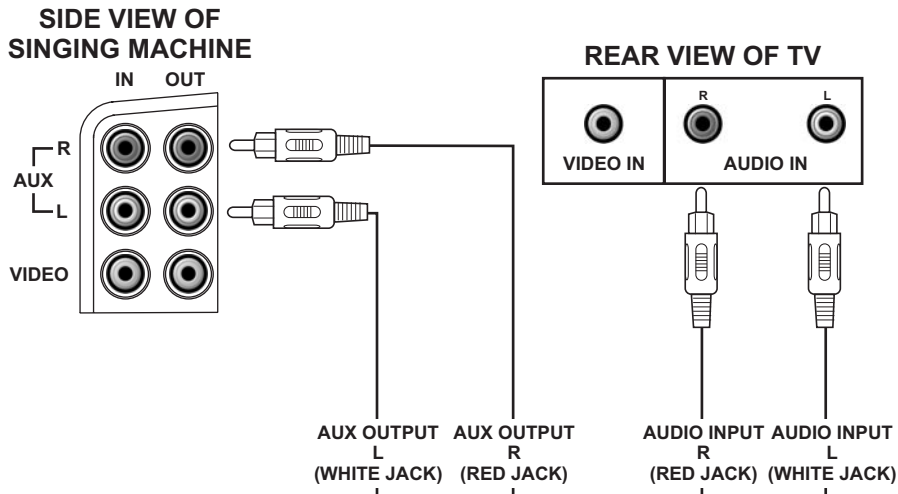
Please follow the steps below to display CDG lyrics on the Singing Machine's monitor from another video source:

- (1) Locate the multicolored patch cords.
- (2) Connect video cable (yellow) to the video in jack on the side of the Singing Machine.
- (3) Connect the other end of the video cable (yellow) to the Video Output on another video source such as a VCR.
- (4) Set the Function Selector to AUX mode and the Monitor Selector to AUX.
- (5) Adjust the BRIGHTNESS, CONTRAST and VERTICAL HOLD knobs located under the monitor of the Singing Machine for the best picture quality.



### AUDIO CONNECTION

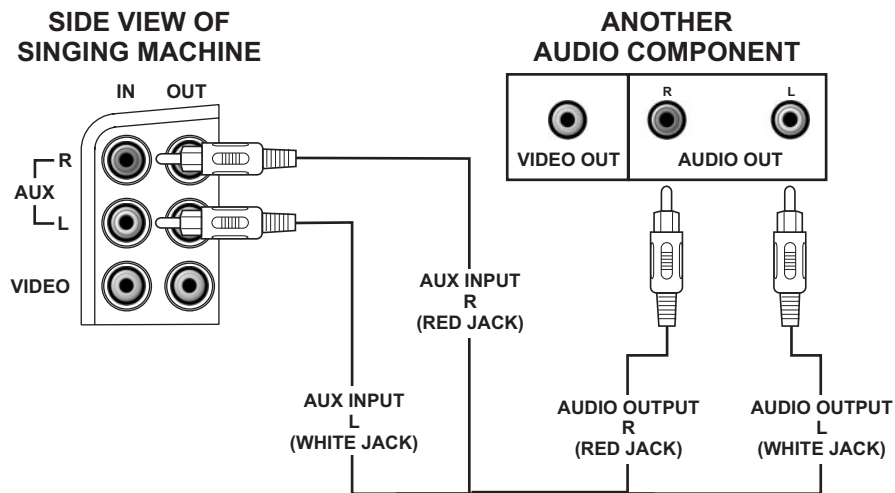
Connect the unit to your TV or home stereo system using the White and Red connections on the supplied patch cord. Plug the white end of the patch cord into the white AUX OUT jack on the unit. Plug the red end of the patch cord into the red AUX OUT jack on unit. Now connect the other end of the cable's white (left channel) and red (right channel) plugs to your TV or home stereo system's 'AUDIO IN' or 'AUX IN' jacks.



## MAKING THE CONNECTIONS

### CONNECTING AN AUDIO COMPONENT FOR INPUT

To connect another audio source (such as a Tuner, an AV Receiver or a VCR) so you can sing along with its music, simply connect the Audio Output jacks (Red & White RCA jacks) to the Singing Machine's AUX IN L & R jacks.



### MONITOR SELECTOR

- To play a CDG disc, set the Monitor Selector to either CAMERA, CDG, AUX or OFF mode.
- To display CDG lyrics on the Singing Machine's monitor, set the Monitor Selector to CDG mode.
- To display your image on the Singing Machine's monitor, set the Monitor Selector to CAMERA mode.
- To display a video signal from another A/V component, set the Function Selector to AUX mode and Monitor Selector to AUX mode.
- To turn off the monitor on the Singing Machine, set the Monitor Selector to OFF mode.
- Adjust the BRIGHTNESS, CONTRAST and VERTICAL HOLD knobs located under the monitor of the Singing Machine for the best picture quality.

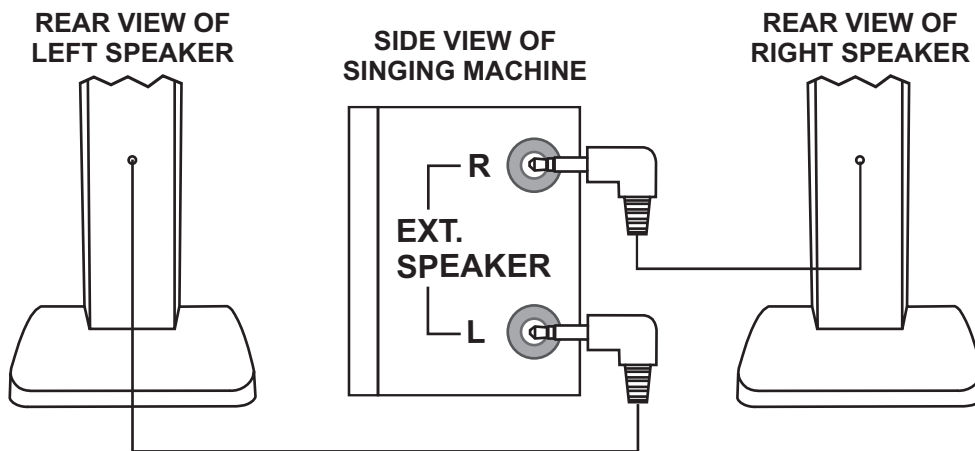
### VIDEO OUT SELECTOR

- To display image on the TV, set Function Selector to CDG or AUX position and set the Video Out Selector to CAMERA mode.
- To display CDG lyrics on the TV, set Function Selector to CDG position and set the Video Out Selector to CDG mode.

## MAKING THE CONNECTIONS

### CONNECTING TO THE SINGING MACHINE


1. Before connecting the speakers, turn off the Singing Machine and adjust both the Master Volume and Mic Volume to minimum.
2. Connect the speakers to the Singing Machine according to illustration.
3. Turn on the Singing Machine. Adjust both the Master Volume and Mic Volume on your Singing Machine to a comfortable level.



## CD OR CD+G OPERATION

- \* **Warning - Tapping or dropping the microphone while it is on can permanently damage your microphone. Resist the urge to swing the microphone around by the cord!**

### PREPARATION

- This unit is designed to play CD's bearing the identification logo "  ". If CD's do not conform to the CD standard, they may not play properly.
- Fingerprints and dust should be carefully wiped off with a soft cloth. Wipe in a straight motion from the center of the disc to the outside edge.
- Never use chemicals, such as record cleaning sprays, antistatic sprays or fluids, benzene or thinner to clean compact discs. These chemicals will permanently damage the plastic surface of the disc.
- Always place the compact disc on the disc tray with the label facing upward. Compact discs can be played on only one side.
- To remove a disc from its storage case, press down on the center of the case and lift the disc out, holding it carefully by the edges.
- Discs should be returned to their cases after use to protect them from dust and scratches.
- To prevent warping the disc, do not expose it to direct sunlight, high humidity or high temperatures for extended periods of time.
- Do not apply paper or write anything on either side of the disc. The inks used in some felt-tip pens may damage the surface of the disc.

### PLAYING CD OR CD+G DISC

- Adjust MASTER VOLUME control on your unit, TV or audio system to a comfortable level.
- Adjust MIC/ECHO/BALANCE controls as needed to achieve the desired mix of music and vocals through your TV or sound system.
- Do not press the disc cover of the CD compartment while it's playing.
- Never place anything on top of the Singing Machine. Foreign objects can damage the unit.
- Do not apply excessive force to the disc cover.
- Only place one disc in the CD compartment at a time.

### TURNING POWER ON/OFF

- To power on the karaoke center, press the ON/OFF button, the ON/OFF LED will illuminate.
- To turn off the system, press the ON/OFF button again, the ON/OFF LED will turn off.

### FUNCTION SELECT

Set the Function Selector to CDG.

### MONITOR SELECT

- To play a CDG, set Monitor Selector to either CAMERA, CDG, AUX or OFF mode.
- To display the CDG lyrics on the Singing Machine's monitor, set Monitor Selector to CDG mode.
- To turn off the monitor on the Singing Machine, set Monitor Selector to OFF mode.
- Adjust the BRIGHTNESS, CONTRAST and VERTICAL HOLD knobs located under the monitor of the Singing Machine to display the best picture quality.

### LOADING A DISC

- Lift the CD door at the OPEN/CLOSE point. Place a disc in the compartment with the printed side facing upward and the shiny side facing down.
- Close the CD compartment. The LED window will display total number of tracks. (If no disc is loaded, it will display "--").

***(Refer to the Trouble Shooting Guide on page E23 if a disc is loaded but the total tracks do not appear.)***

## CD OR CD+G OPERATION

### PLAY/PAUSE MODE

- To start playing, press the PLAY/PAUSE button. The first track [ 1 ] and the PLAY/PAUSE LED will be lit.
- To temporarily stop playing, press the PLAY/PAUSE button. The PLAY/PAUSE LED Indicator will flash.
- To resume play, press this button again.

PLEASE NOTE: Pressing pause when a CDG is playing may cause distorted lyrics on the monitor. Any distortion will remain until the whole screen is refreshed during an instrumental break or you stop the song and start it from the beginning.

### STOP MODE

If the STOP button is pressed in the course of playing, the disc it will cease to play. (The total number of tracks will be shown on the LED display).

### SKIP PLAY (For both CD and CDG discs.)

- During STOP mode, you can skip up or down to your desired track number by pressing a SKIP button (◀◀-SKIP-▶▶).
- To resume playing the selected song, press PLAY/PAUSE button.

### SEARCH (For audio CD disc only.)

When playing any audio CD, press and hold the SKIP button (◀◀-SKIP-▶▶). The CD will search at high speed in the forward or backward direction. Normal play will continue when you release the button.

### REPEAT

- To repeat the track currently playing, press the REPEAT button once. The REPEAT LED will start to flash.
- To repeat all tracks, press the REPEAT button twice. The REPEAT LED will remain illuminated.
- To clear the repeat function. Press the REPEAT button again. The REPEAT LED will no longer illuminate.

### PROGRAM

- Use this button to program and play back songs in a preselected order.
  - Step 1: Programming should be done in the stop mode only. Press the PROGRAM key until the PROGRAM LED flashes, the track will read [ 0 ].
  - Step 2: Press the double arrow keys (◀◀-SKIP-▶▶) to select a desired track.
  - Step 3: Press PROGRAM key to confirm entry. You can repeat the same steps up to a maximum of 20 tracks.
  - Step 4: Press PLAY to activate PROGRAM.
- Press the STOP button to clear all the programmed entries.

### KEY CONTROL

- Pressing the KEY HIGH/KEY LOW button will allow different ranges to be adjusted as shown on LED.
- KEY FLAT button is used to adjust the key level back to default level.
- KEY HIGH is used to raise the key level.
- KEY LOW is used to lower the key level.

## RADIO AND OTHER OPERATIONS

---

### AM/FM RADIO

1. Press the ON/OFF button.
2. Switch Function Selector to RADIO position.
3. Switch Band Selector to either AM or FM radio position.
4. Turn tuning knob to select desired station as indicated on dial.
5. Adjust Master Volume to your pleasure.
6. To turn the radio off, set Function Selector to CDG or AUX position.

### SING ALONG - RADIO

1. Follow operating instructions for AM/FM radio.
2. Connect the supplied Microphone to either one of the Mic input jacks.
3. Adjust Master Volume and Mic Volume. Your voice will be combined with the radio station output and will be heard through the speaker.

### PUBLIC ADDRESS - USING A MICROPHONE

The unit can be used as a PA (Public Address System).

Public Address (PA) Operation Procedures

1. Connect the supplied Microphone to either one of the MIC input jacks.
2. Press the ON/OFF button to turn the unit on.
3. Set the Function Selector to AUX. Move the MIC VOLUME control to central position.
4. Move the ON/OFF switch located on the Microphone to the ON position and speak or sing into the Microphone. The Microphone sensitivity and loudness could be adjusted as required by turning the MIC VOLUME control and/or MASTER VOLUME control.
5. To add depth or ambiance to your voice, adjust the ECHO control until the desired effect is obtained.

**Note:** To prevent feedback or whistling from occurring, please be sure that the microphone is not too close to the unit.

## SMM-107 WIRELESS MICROPHONE OPERATION

---

- 1) Open the battery compartment.
- 2) Place a 9V battery in the compartment as indicated by the polarity symbols (+ and -) marked inside the compartment of the wireless microphone.
- 3) Close the battery compartment.
- 4) The switch on the wireless microphone has three settings:
  1. ON - The switch is in the top position. The microphone will function. The red indicator light is on.
  2. STANDBY - The switch is in the middle position. The microphone will not function. The red indicator light is on.

**NOTE:** The purpose of this setting is to maintain a connection between the microphone and the Singing Machine when moving around the area in which it is being used. (This function could also be considered a mute function)
  3. OFF - The switch is in the bottom position. The microphone will not function. The red indicator light is off.

**NOTE:** To ensure long battery life, please make sure that the wireless microphones is set to the OFF position when not in use. When not in use for a long period of time, we recommend that you remove the DC 9-V battery.

## **WIRELESS MICROPHONE INFORMATION**

---

**Warning: Modifying, tampering and adjustment to this unit or replacement of any transmitter component (crystal, semiconductor, etc.) to this unit that could result in a violation of the rules.**

### **FCC NOTICE**

This wireless microphone system complies with Part 90 of FCC Rules. There is one frequency available for the system. You must get a licence for the frequency you plan to use before you use the system.

Please look for this website <http://wireless.fcc.gov/uls/> to apply the licence or phone to the nearest FCC offices and contact them to get the necessary application. Licensibility depends on how you will use the system.

### **For RF exposure**

“IMPORTANT NOTE: To comply with the FCC RF exposure compliance requirements, no change to the antenna or the device is permitted. Any change to the antenna or the device could result in the system exceeding the RF exposure requirements.”

### **SAFETY INFORMATION**

Your wireless microphone contains a low power transmitter. When the EUT is powered on and it sends out radio frequency (RF) signals. In August 1996, the Federal Communications Commissions (FCC) adopted RF exposure guidelines with safety levels for wireless devices.

### **IMPORTANT**

To maintain compliance with the FCC's RF exposure guidelines hold the transmitter and antenna at least 1 inch (2.5 centimetres) from your face and speak in a normal voice, with the antenna pointed up and away from the face. Insure that the antenna is at least 1 inch (2.5 centimetres) from your body when you using your wireless microphone.

Use only the supplied antenna. Unauthorised antennas, modifications, or attachments could damage the transmitter and may violate FCC regulations.

## CARE AND MAINTENANCE

### POWER SWITCH

After using the unit, turn off the power by pressing the ON/OFF button.

### CLEANING THE UNIT

To clean the exterior of the unit, simply wipe with a soft clean cloth moistened with plain lukewarm water.

### CLEANING THE CD LASER LENS

For the Best Results: Use a CD-lens cleaning disc according to the cleaning disc manufacturer instructions.

If a lens cleaning disc is not available, use a clean, soft, dry cotton cloth to gently wipe the small, glass, fish-eye laser lens located in the CD players.

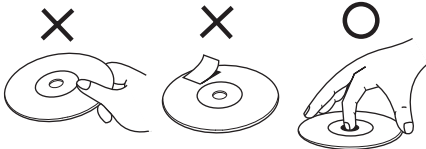


To prevent fire or shock hazard, disconnect your stereo system from the AC power plug when cleaning.

### COMPACT DISC

#### Handling Disc

Although the music tracks on the disc are covered with a protective layer, it is still advisable to treat the disc carefully. Ensure that you always pick up discs by the edge, and put them back in their holders immediately after use.



### CLEANING DISC

Cleaning will not normally be necessary. However, should fingerprints, dust or dirt appear, you can wipe them off with a soft, lint-free cloth. Wipe the disc in a straight line from center to edge. You can moisten the disc first with ordinary tap water if necessary.



**NOTE: Do not use detergent or abrasive cleaning agents as they can damage the disc.**

### CD PLAYER

The player mechanism is fitted with self-lubricating bearings and must not be oiled or greased.

## TROUBLE SHOOTING GUIDE

If you have followed the instructions and are having difficulty operating the unit, locate the PROBLEM in the left column below. Check the corresponding POSSIBLE CAUSE column to locate and remedy the problem.

PROBLEM	POSSIBLE CAUSE	SOLUTION
No power when POWER is on.	No power plug connection at the AC outlet.	Insert the power plug into the AC outlet.
No power when plugged in.	Power cord is not connected to machine.	Connect power cord to machine securely.
No sound.	Volume control is set to minimum.	Turn up the volume.
No sound from TV or PA.	The wrong function is selected.	Select the correct function.
	TV or PA system is set to minimum.	Turn up the volume on the TV or PA system.
	TV or PA system is powered off.	Power the TV or PA system on.
	Patch cords are not connected securely.	Ensure white and red patch cords are securely inserted into both The Singing Machine and the TV/PA system.
CD Player does not work normally or the LED displays "--", "E", or "00"	Disc is inserted upside down.	Insert disc correctly.
	Disc is dirty.	Wipe clean with soft cloth.
	Disc is scratched.	Use a new disc.
	Disc is warped.	Use a new disc.
	A nonstandard disc is inserted.	Only use discs bearing standard logo as described on page E18.
	Moisture has formed inside the CD deck.	Wait about 20 to 30 minutes to let it dry out.
No sound - when audio is connected to a home stereo.	Singing Machine needs to be reset.	Disconnect the machine from the power source for 30 seconds then reconnect.
	Source Selection on your stereo is not set properly.	Select AUX IN as the source for your home stereo.
	Improper Connection to stereo system or PA.	Follow directions on page E15 "connecting to a home stereo system."
No sound - If audio is going through TV or VCR.	Patch cords are not connected securely.	Ensure white and red patch cords are securely inserted into both The Singing Machine and the home stereo system.
	Source Selection on TV or VCR is not correct.	Follow directions on page E13 for "Making the Connections".
	Patch cords are not connected securely.	Ensure white and red patch cords are securely inserted into both The Singing Machine and the home stereo system.

## TROUBLE SHOOTING GUIDE

PROBLEM	POSSIBLE CAUSE	SOLUTION
No song lyrics appear on the TV screen.	Video cable is not connected properly to the TV.	Connect the video cable to the Singing Machine's VIDEO OUT and to the TV VIDEO IN.
	Source selector on TV is not set to VIDEO.	Using your TV remote to select VIDEO input or select the proper VIDEO input on the TV itself. (Refer to page E14 under Common ways to configure your TV or VCR)
	TV does not have video line input.	Connect from VIDEO OUT of the system to the VIDEO IN of your VCR or connect to an RF Modulator and then to the TV cable input. Refer to "Making the Connections" on page E13.
	A non standard disc is inserted.	Only use discs bearing standard CD+G logo.
	A CDG is loaded but the CDG indicator is not lit.	Check disc to be sure it is clean. (See page E22 for cleaning instructions.)
While playing a CDG and singing with the microphone, the music or vocals cut out.	AVC is activated to Maximum.	Adjust AVC to Minimum.
	Playing music only track.	Play track that includes music and vocal.
Picture is jumping up and down.	VERTICAL HOLD Control is not set correctly.	Adjust the VERTICAL HOLD Control.
No image displays on the monitor when attempting to use the camera function.	The Camera Lens is down.	Lift up a Camera Lens.
	MONITOR Selector is not set properly.	Set MONITOR Selector to CAMERA mode.
	Lens cap is on.	Remove lens cap.
	Brightness control not adjusted properly on the Singing Machine.	Adjust Brightness control on the Singing Machine.
Image is blurry.	Camera has not warmed up.	Wait a minute for the camera to warm up.
	Camera lens is dirty.	Clean the camera lens.
	Camera lens is out of focus.	Adjust the lens of the camera by slightly rotating either left or right until the display is clear. Do not overturn the lens.

**TROUBLE SHOOTING GUIDE**

PROBLEM	POSSIBLE CAUSE	SOLUTION
Music & Vocals are playing at a high speed.	Key control is set to high.	Adjust key control to flat.
While playing a CDG track with music and vocals only music or vocals play.	Balance is set either to left or right.	Adjust balance to mid point.
Wireless microphone is not working but LED is illuminated.	Microphone is not in the "ON" position or	Position microphone to the "ON" position.
	Microphone is in 'STN' position.	
	Battery is dead.	Replace battery.
Wired microphone is not working.	Microphone is not in the "ON" position.	Position microphone to the "ON" position.
	Microphone is not securely connected to the microphone jack.	Insure microphone is securely connected to microphone jack 1 or 2.

**SPECIFICATIONS**

<b>AUDIO SECTION:</b> <b>MAIN UIT</b> OUTPUT POWER (MAXIMUM) OUTPUT IMPEDANCE <b>TOWER SPEAKER</b> OUTPUT POWER (MAXIMUM) OUTPUT IMPEDANCE	7 WATTS (RMS) 3 OHMS 7 WATTS (RMS) 3 OHMS
<b>CD PLAYER SECTION:</b> FREQUENCY RESPONSE SIGNAL - TO - NOISE RATIO WOW AND FLUTTER D - A CONVERSION NUMBER OF PROGRAMS SAMPLING SYSTEM	100 Hz - 20 kHz (+/-3 dB) 50 dB (A-WTD) IMMEASURABLE 1-BIT DAC 20 STEPS RANDOM ACCESS PROGRAMMING 8 TIMES OVER SAMPLING
<b>MONITOR SECTION</b>	7" BLACK AND WHITE TV MONITOR NTSC SYSTEM 220 LINE RESOLUTION
<b>RADIO SECTION:</b> AM FREQUENCY RANGE FM FREQUENCY RANGE	530-1710 kHz 88-108 MHz
<b>WIRED MICROPHONE</b>	-74 dB 600 OHMS IMPEDANCE WITH Ø6.3mm DYNAMIC MICROPHONE
<b>POWER SECTION</b>	AC 110V-120V~60Hz
<b>DIMENSIONS (H x W x D)</b>	37.5 x 17.7 x 17.1 Inches / 95.2 x 45.0 x 43.5 cm
<b>WEIGHT</b>	29.5 lbs / 13.4 kgs
<b>ACCESSORIES</b>	1. PRE-RECORDED KARAOKE CD+G DISC 2. AV CABLE 3. WIRELESS MICROPHONE 4. SCREWS 5. AC POWER CORD

Specifications are typical, individual units might vary. They are subject to continuous improvement without notice and without incurring any obligation.

## **THE SINGING MACHINE KARAOKE GLOSSARY OF TERMS**

In addition to all of the terminology associated with consumer electronics products, a few additional terms are used almost exclusively in karaoke. These terms are meant to familiarize you with the world of Karaoke. The features listed below **may not** necessarily pertain to the particular model Singing Machine that you have. The following are some brief explanations of karaoke terms:

### **Echo:**

Echo adds depth and resonance to a singer's voice, without affecting the music. This echo is produced by creating minor controlled feedback in the singer's voice.

### **Multiplex:**

Our multiplex recordings contain 2 copies of the same song. One version is a stereo recording of the song without the lead singer. The second version is recorded with the music and background vocals on the left channel and the lead singer recorded on the right channel. This 'split track' recording allows you to control the volume of the lead singer by adjusting the balance control. You can sing a duet with the lead singer or use the lead singer as a guide as you learn the song, gradually fading them out with the balance control until you are able to sing the song on your own.

### **Auto Voice Control (A.V.C.):**

When the AVC function is activated, the vocals on a multiplex recording are eliminated as soon as the singer begins singing into the microphone. When the singer stops singing, the vocals on the multiplex recording are automatically re-activated. This useful function is used primarily during practice sessions while a singer is learning a song. Please note that the AVC function only works with multiplex recording and not with standard audio recordings.

### **Pitch Control:**

This function controls pitch of music by controlling the speed at which a cassette tape plays back. By increasing the speed of the tape, the music sounds higher (sharp). By slowing the tape speed, the music sounds lower (flat).

### **Key Controller:**

Key Controller changes the key of the CD/CDG music (+ or - steps) to adjust to the singer's voice.

### **CDG:**

This is an acronym for Compact Disc plus Graphics. You will also see variations CD+G, and CD+Graphics. This is a regular audio CD with information stored on a data track simultaneous to music. In laymen's terms, CDG has a video output for simple graphics (not full motion video). In the case of karaoke, the graphics function is used to store song lyrics, and display the lyrics in synch with music. In most cases, CDG software displays lyrics which change color as they are to be sung. A regular television is all that is required to display CDG lyrics.

**NOTE** - CDG is a particular type of compact disc encoding system that is different from VCD or DVD. Your Singing Machine can decode standard audio compact discs and CDG discs. It will not read VCD or DVD encoded discs.


Standard audio discs and cassette tapes will not display lyrics on your TV. Audio CDs do not contain the software necessary to display lyrics.



# ADVERTENCIAS

ESPAÑOL

**ADVERTENCIA:** PARA REDUCIR EL RIESGO DE INCENDIOS O DE CHOQUES ELÉCTRICOS, NO EXPONGA ESTE EQUIPO A LA LLUVIA O HUMEDAD.

	<b>CUIDADO</b> RIESGO DE CHOQUE ELÉCTRICO NO ABRA	
<b>CUIDADO:</b> PARA EVITAR CHOQUES ELÉCTRICOS, NO REMUEVA LA TAPA O LA TRASERA. NINGUNA PIEZA QUE PUEDA SER ARREGLADA EN EL INTERIOR. ENTREGUE TODO EL TRABAJO DE REPARACIONES SOLAMENTE AL PERSONAL DE MANUTENCIÓN CALIFICADO.		

La marca de la CUIDADO está localizada en el panel posterior.



Este símbolo tiene la intención de alertarlo para la presencia de tensiones vivas peligrosas, en el interior de la caja del producto, con potencia suficiente, para ocasionar el riesgo de un choque eléctrico. No abra la caja del producto.



El símbolo tiene la intención de informarle que las instrucciones importantes de operación y manutención son incluidas en la literatura que es suministrada, junto con ese producto.



**RIESGO DEL FUEGO - REPLACE FUSE AS MARKED**

## CUIDADO

PARA EVITAR CHOQUES ELÉCTRICOS, ENCAJE EL PINO MÁS ANCHO DEL CONECTADOR, EN LA FENDA MÁS ANCHA Y ENCAJE.

## ADVERTENCIA: HUMEDAD

El producto no debe ser expuesto a goteos o a derrames de líquido y ningún objeto que tenga líquidos (por ejemplo, vasos) debe ser colocado sobre el producto.

## ADVERTENCIA: VENTILACIÓN

La ventilación normal del producto no debe ser obstruida.

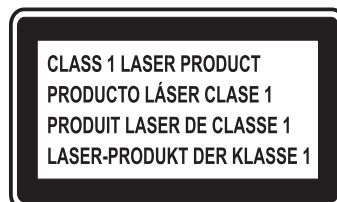
El CD Player es producido y probado, en conformidad con los estándares de seguridad. El obedece las especificaciones FCC y está conforme a los estándares de seguridad del Departamento de Salud y Servicios Humanos de los EE.UU.

## ADVERTENCIAS:

- El CD Player emplea un feje de rayos láser. Solamente un técnico calificado debe remover la tapa o tentar reparar este dispositivo, debido a posible daño a sus ojos.
- El uso de controles, ajustes de procedimientos que no son los especificados aquí pueden causar una exposición peligrosa a la radiación.
- El aparato debe ser usado en area abierta.

## CUIDADO

Este CD player es clasificado como un PRODUCTO LÁSER CLASE 1. La etiqueta CLASS 1 LÁSER PRODUCT está localizada en el panel posterior.



## ¡CUIDADO!

Radiación invisible de rayos láser cuando abierto o cuando interruptores de seguridad fueren desactivados. Evite exponer a los fejes solares.

## ADVERTENCIAS

NOTA: Este aparato digital no excede los límites de Clase B para las emisiones de ruido de radio del aparato digital como estipulado en las Regulaciones de Interferencia de Radio de Industria Canadá. Estos límites fueran establecidos para proporcionar protección razonable contra la interferencia dañosa en una instalación residencial. Este equipo genera, usa y puede radiar energía de frecuencia de radio y, si no instaló y usó de acuerdo con las instrucciones, puede causar interferencias dañosas para las radiocomunicaciones. No hay ninguna garantía sin embargo, que la interferencia no ocurrirá en una instalación particular. Si este equipo causa interferencias dañosas para radio o televisión (qué puede determinarse apagando el equipo), el usuario debe intentar corregir la interferencia por uno o más de las medidas siguientes:

- Reoriente o re-localice la antena receptora.
- Aumente la distancia entre el equipo y receptor.
- Conecte el equipo en una toma de corriente en un circuito diferente de lo a que el receptor se conecta.
- Consulte el distribuidor o técnico de radio / Televisión para obtener ayuda.

## INSTRUCCIONES IMPORTANTES DE SEGURIDAD

1. **Lea las Instrucciones** - Todas las instrucciones de seguridad y de operación deben ser leídas antes que el producto sea utilizado.
2. **Guarde las instrucciones** - Las instrucciones de seguridad y de operación deben ser guardadas, para consulta futura.
3. **Advertencias** - Todas las advertencias para uso del producto y de las instrucciones de operación deben ser obedecidas.
4. **Siga las instrucciones** - Se deben seguir todas las instrucciones operativas y de uso.
5. **Limpieza** - Desconecte este producto del tomacorriente antes de hacer la limpieza. No use detergentes líquidos o en aerosol. Use solamente un paño húmedo para limpieza de la parte externa. No intente limpiar el interior.
6. **Accesorios** - No intente usar accesorios no recomendados por el fabricante, pues ellos pueden causar daños.
7. **Agua y humedad** - No use este producto cerca del agua – por ejemplo, cerca de una bañera, balcón de cocina o estanque de lavandería, ni en local húmedo demás o cerca de una piscina.
8. **Accesorios** - No deje ese producto sobre un carrito, trípode, mesa, estante o armazones inestables. El producto puede caerse, hiriendo un niño o un adulto y quedar seriamente dañado. Use solamente con un carrito, armazón, trípode o mesa recomendado, por el fabricante o vendido con el producto. Cualquier soporte del producto debe seguir las instrucciones del fabricante y debe usar un accesorio de montaje recomendado por el fabricante.
9. El conjunto de carrito, con el equipo debe ser movido con cuidado. Paradas rápidas, fuerza excesiva y superficies desiguales pueden hacer con que el conjunto de carrito y equipo vuelque.



10. **Ventilación** - Las ranuras y aperturas del gabinete son hechas para ventilación y para garantizar la operación confiable del producto y para protegerlo del súper-calentamiento y estas aberturas no deben ser bloqueadas o cubiertas. La apertura nunca debe ser obstruida con la colocación del producto en una cama, sillón, alfombra o superficie semejante. Este producto no debe ser puesto en un local cerrado, tal como un estante o rack a no ser que tenga ventilación adecuada.
11. **Fuentes de Alimentación** - Este producto solamente puede ser operado, a partir del tipo de fuente de energía, indicado en la etiqueta de identificación. Si UD no estuviera seguro del tipo de red eléctrica de su casa, pregunte al revendedor o concesionaria local de energía eléctrica. Para productos que operan con batería u otras fuentes, consulte las instrucciones de operación.
12. **Clavija de puesta a tierra** - El producto puede ser equipado con un conector polarizado de línea de corriente alternada (es decir, un conector con una clavija más ancha que la otra). Este conector se encaja en la toma, de una única forma. Esto es un recurso de seguridad. Si el conector no encaja correctamente, délo vuelta e intente de nuevo. Si el conector todavía así, no encaja, entre en contacto con su técnico para sustituir su toma antigua. No intente anular la seguridad de la enchufe de puesta a tierra.

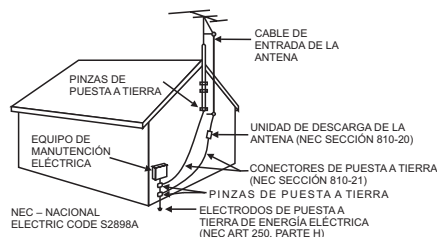
**Advertencias alternativas** - El producto puede ser equipado con un conector de tres clavijas con puesta a tierra (enchufe con una tercera clavija para tierra). Este conector se encaja en una toma, con puesta a tierra. Esto es un recurso de seguridad. Si el conector todavía así, no encaja, entre en contacto con su técnico para sustituir su toma antigua. No intente anular la seguridad de la enchufe de puesta a tierra.

## INSTRUCCIONES IMPORTANTES DE SEGURIDAD

**13. Protección del Cable de Fuerza** - Cables de fuerza deben ser posicionados de manera que ellos no sean pisados o prensados por objetos puestos sobre o contra ellos, tomando cuidado especial con los cables, en los conectadores, extensiones y en el punto en que salen del producto.

**14. Conector de Interconexión con Protección** - El producto es equipado con un conector con protección de sobrecarga. Esto es un recurso de seguridad. Vea el Manual de Instrucciones para la sustitución o reposición del dispositivo de protección. Si el cambio del tomacorriente es necesario, vea si el técnico de mantenimiento usa el conector de sustitución especificado por el fabricante, con la misma protección, contra sobrecargas que la del conector original.

**15. Puesta a tierra de la Antena Externa** - Si una antena externa es conectada al receptor, certifíquese de que el sistema de la antena está puesto a tierra de manera a dar alguna protección, contra picos de tensión y/o acumulo de cargas estáticas. El artículo 810 del National Electrical Code, ANSI/INFA 70, da las informaciones referentes a la puesta a tierra adecuada del mástil y de la estructura de soporte, toma a tierra del cable de entrada, a una unidad de descarga de la antena, tamaño de los conductores de tierra, localización de la unidad de descarga de la antena, conexión de electrodos de puesta a tierra y las especificaciones del electrodo de puesta a tierra. Vea la figura:



**16. Relampagueo** - Para protección adicional para este producto, durante una tormenta de rayos o cuando el equipo no esté en uso o sin uso, durante largos periodos de tiempo, retire el cable del enchufe y desconecte la antena o sistema de cable. Esto evita los daños del producto debido a rayos y picos de tensión de la red.

**17. Líneas de Potencia** - Un sistema externo de antenas no debe ser instalado en la vecindad de líneas aéreas de energía eléctrica o de otros circuitos de iluminación o de energía eléctrica, o donde él pueda caer en esas líneas de transmisión o circuitos eléctricos. Al instalar un sistema de antena externa, debe tener un cuidado extremo para evitar apoyarse en líneas de energía o circuitos eléctricos, pues el contacto con ellos puede ser fatal.

**18. Sobrecarga** - No sobrecargue la tomacorriente, cables de extensión o tomacorrientes auxiliares, pues eso puede causar un incendio o una descarga eléctrica.

**19. Penetración de Objetos o Líquidos** - Jamás insiera cualquier tipo de producto por las aperturas, pues ellas pueden tocar en puntos de alta tensión o causar un corto-circuito en piezas que pueden causar un incendio o choque eléctrico. Jamás derrame ningún tipo de líquido en el producto.

**20. Servicio** - No intente reparar este producto por sí mismo, pues abrir o remover las tapas pueden, exponerlo a tensiones peligrosas u otros riesgos. Entregue todo el trabajo de reparaciones solamente al personal de mantenimiento calificado.

**21. Daños que Necesitan de Reparos** - Desconecte este producto del tomacorriente y envíelo al personal de mantenimiento calificado, en las siguientes condiciones:

- Cuando el cable de energía o conector están dañados,
- Si líquidos hubieran sido derramados, los mismos caerán en el producto,
- Si el producto fue expuesto a la lluvia o agua,
- Si el producto no operar normalmente siguiendo las instrucciones de operación. Ajuste solamente los controles que son descritos por las instrucciones de operación, pues un ajuste inadecuado de otros controles puede causar daño y pueden, frecuentemente, necesitar de un trabajo intenso por un técnico calificado, para que el producto vuelva a su operación normal.
- Si el producto hubiere sufrido una caída o ha sido dañado de alguna forma y
- Cuando el producto muestra una clara alteración en el desempeño, eso indica la necesidad de una revisión técnica.

**22. Reposición de Piezas** - Cuando piezas de reposición sean necesarias, vea si el técnico de mantenimiento usó las piezas especificadas por el fabricante o si ellas tienen las mismas características de la pieza original. Sustituciones de piezas no autorizadas pueden causar incendios, choques eléctricos u otros riesgos.

**23. Prueba de Seguridad** - En el final de cualquier arreglo de este producto, solicite al técnico de mantenimiento, que efectúe las pruebas de seguridad, para determinar si el producto está en condiciones adecuadas de funcionamiento.

**24. Montaje en la Pared o en el Techo** - El producto debe ser montado en la pared o en el techo, solamente cuando recomendado por el fabricante.

**25. Solución (Salud)** - El producto debe ser puesto lejos de fuente de calor, tales como: radiadores, registro de calor, hornos u otros productos (incluyendo amplificadores que generen calor).

## INTRODUCCIÓN

Su Sistema de Karaoke CD/CDG con Pedestal le proporcionará diversión y entretenimiento. Usted será la "estrella" cantando con sus grabaciones favoritas así como escuchando a su voz con la música a través de los altoparlantes del sistema.

Este aparato de karaoke es compacto y diseñado para incluir muchas funciones, todavía es fácil usar. Después de algunas instrucciones sencillas, UD puede tornarse un experto. Antes de que usted intente usar su unidad, por favor lea este manual completamente para familiarizarse con todas las funciones disponibles y las secciones del manual que describen su funcionamiento. A seguir vaya para la sección de la operación específica que UD quiere ejecutar.

Para una consulta fácil, aquí está una lista con las principales características del Centro Karaoke:

**Letra de la música en la pantalla de la TV** - muestra la letra de la música con el tiempo de la música al reproducir los discos CDG.

**Control Automático de Voz (A.V.C.)** - posibilita la substitución de la voz original del cantor por su propia voz cuando un disco karaoke multiplex grabado es tocado. Para activar, gire el Volumen del MIC a un nivel confortable de escucha y el Control Auto Voice para el mejor equilibrio entre los niveles de playback y micrófono.

**Control Balance** - le permite ajustar el equilibrio entre el la voz pre-grabada del cantante original y la música al usar un disco de karaoke multiplex.

**Control Echo** - permite que UD acrecenté un eco y de a su voz un efecto de sala de conciertos.

**Controle Master Volume** - Permite que UD gire el control de volumen del micrófono en el sentido del reloj o en contra de las agujas del reloj hasta que el nivel de volumen deseado sea obtenido.

**KaraokeVision™** - levantar la tapa de la lente para desplegar la imagen en el monitor o de la Singing Machine o TV.

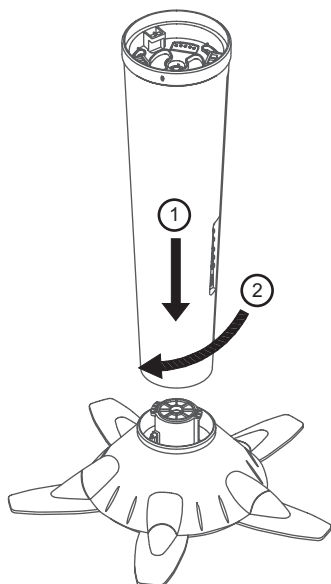
**Altoparlante Estéreo Incorporado** - permite que UD comparta la música con su familia y sus amigos.

**Toma de Salida Auxiliar** - le permite conectar otro componente de audio, como un equalizador /booster o un sistema de PA.

**Toma conexión de Fono** - le permite conectar los auriculares como una alternativa y no escuchar a través de los altoparlantes incorporados del sistema.

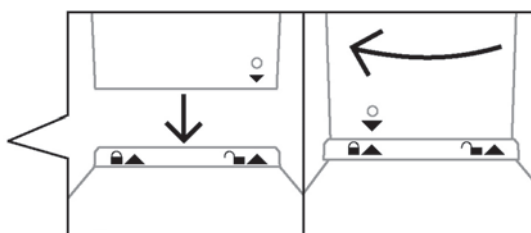
## INSTALACIÓN

ESPAÑOL



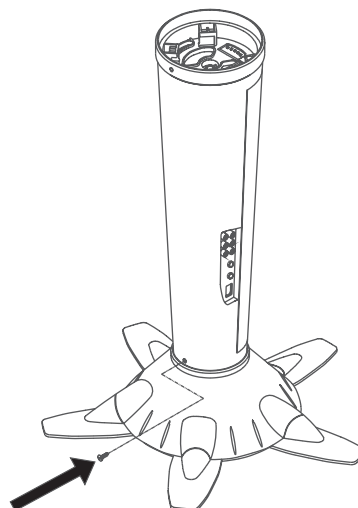
### PASO 1

1. Instale el portavoz (medio) en el soporte (fondo) según la ilustración de la instalación.

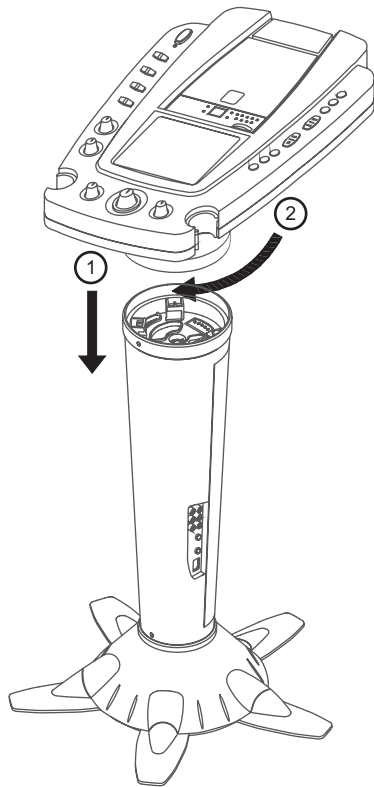


### PASO 2

2. Apriete un tornillo taladrando al fondo del portavoz (medio).

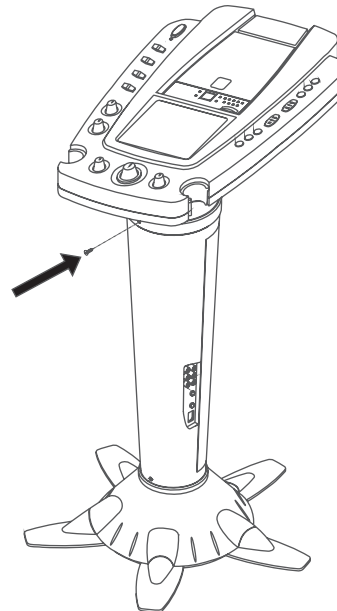


## INSTALACIÓN



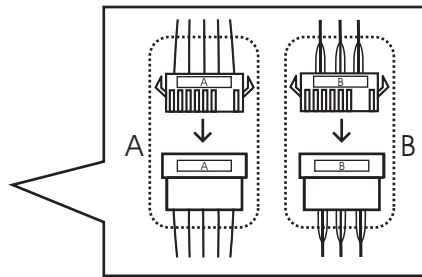
### PASO 4

4. Apriete un tornillo taladrando al el panel de control (cima).

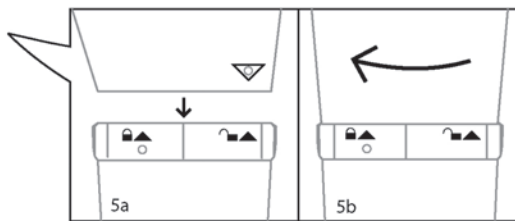


### PASO 3

3. Instale el panel de control (cima) en el portavoz (medio) según la ilustración de la instalación.



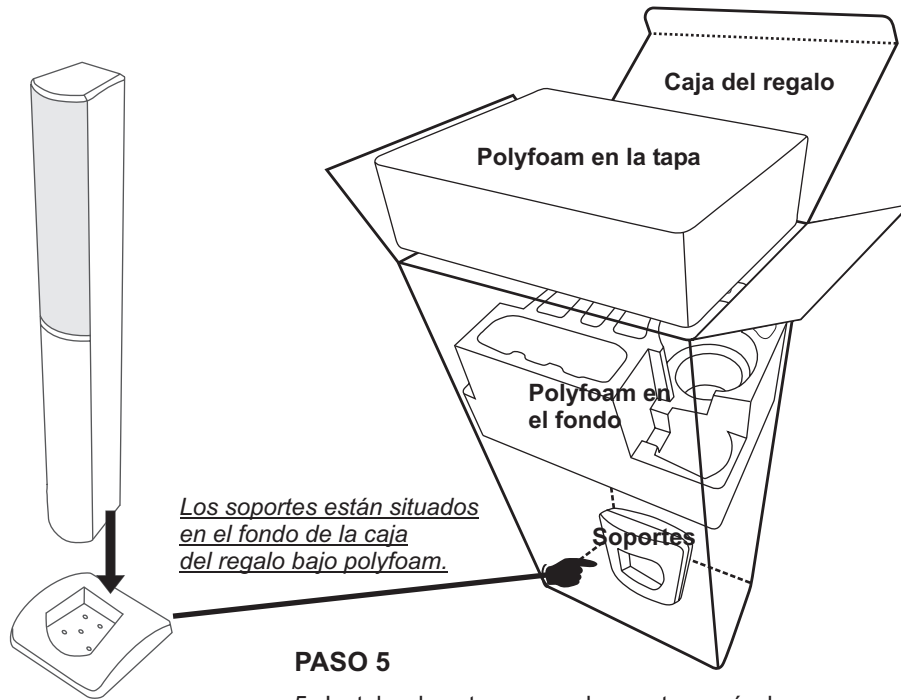
- Seguir las etiquetas (A hasta A & B hasta B) para conectar los conectadores.



ESPAÑOL

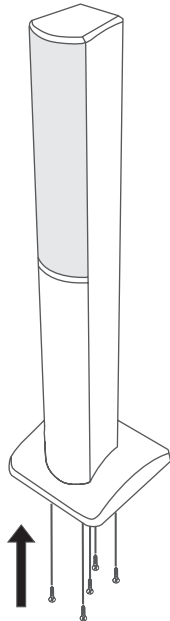
## INSTRUCCIONES DE INSTALACIÓN PARA LOS ALTOPARLANTES DE LA TORRE

ESPAÑOL



### PASO 5

5. Instale el portavoz en el soporte según la ilustración de la instalación.

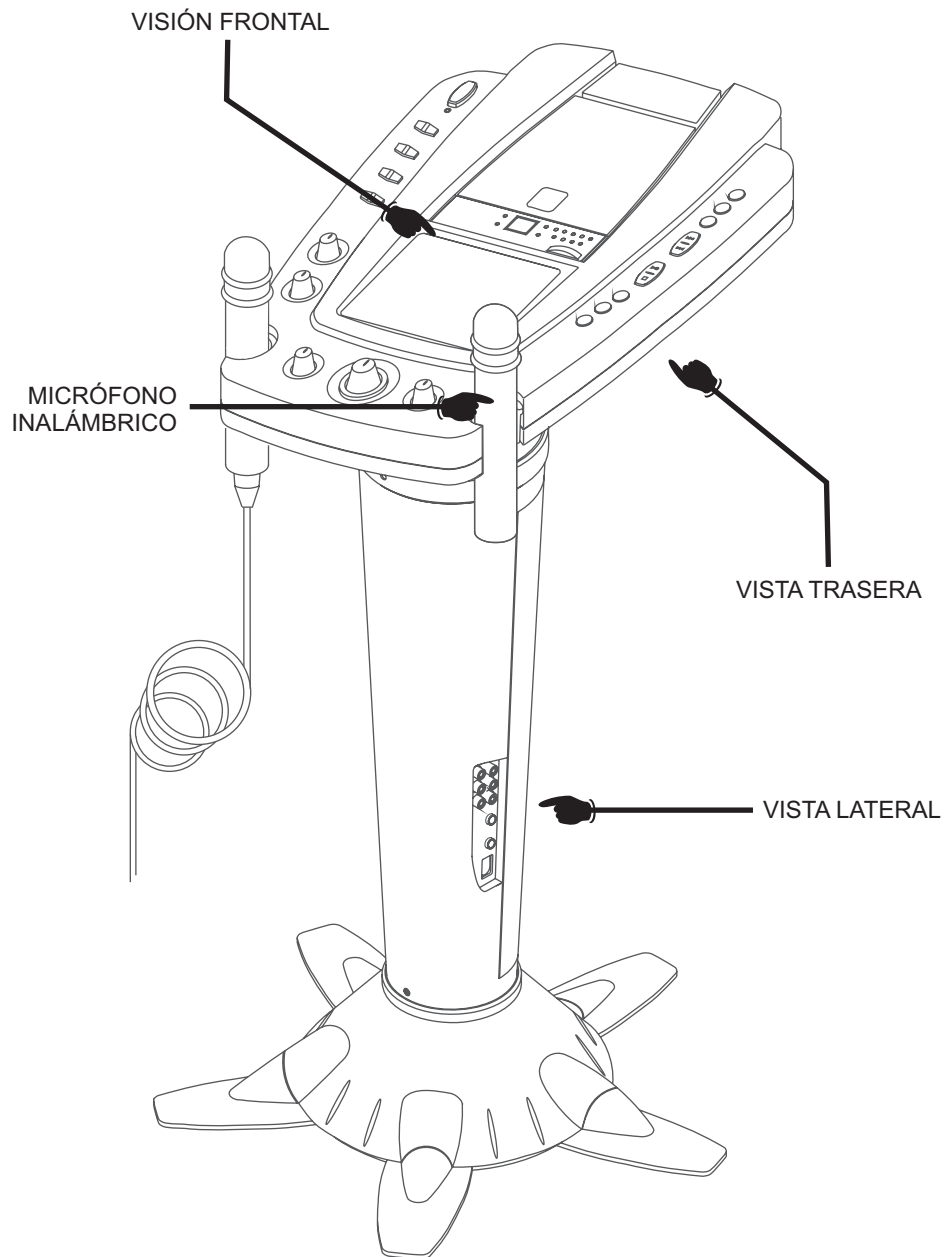


### PASO 6

6. Apriete cinco tornillo taladrando al fondo del portavoz.

## **LOCALIZACIÓN DE CONTROLES**

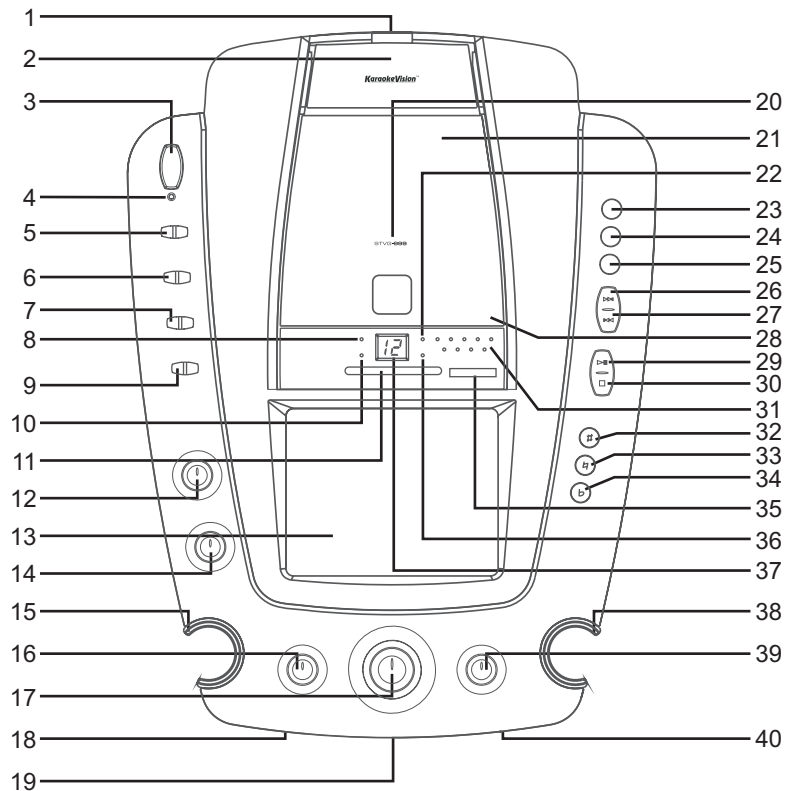
La localización de los controles está indicada en las próximas páginas.



**ESPAÑOL**

## LOCALIZACIÓN DE CONTROLES

ESPAÑOL

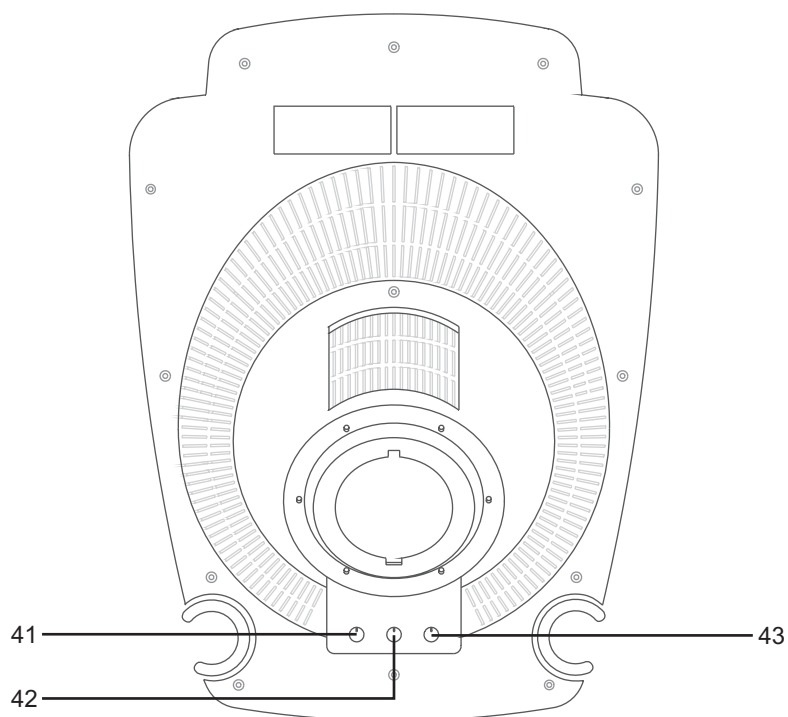


### VISIÓN FRONTAL

- |  |                              |                               |
|--|------------------------------|-------------------------------|
| 1. Botón de apertura de la lente de cámara | 12. Control MASTER VOLUME    | 26. Botón SKIP ►►             |
| 2. Lente de la Cámara Regulable            | 13. Monitor                  | 27. Botón SKIP ◄◄             |
| 3. Botón Encender/Apagar                   | 14. Control BALANCE          | 28. Point OUVRIIR / FERMER    |
| 4. LED Encender/Apagar                     | 15. Soporte de los Micrófono | 29. Botón PLAY/PAUSE          |
| 5. Selector MONITOR                        | 16. Control ECHO             | 30. Botón STOP                |
| 6. Selector de SALIDA VIDEO                | 17. Control MIC VOLUME       | 31. LED de control de KEY     |
| 7. Selector de Banda                       | 18. Conectador MIC 1         | 32. Key High                  |
| 8. LED PROGRAMA                            | 19. Toma para fono de oído   | 33. Key Flat                  |
| 9. FUNCIÓN SELECCIONAR                     | 20. Numero del Modelo        | 34. Key Low                   |
| 10. LED REPEAT                             | 21. Puerta del CD            | 35. Botón de Sintonía         |
| 11. Indicador del dial                     | 22. LED LECTURE / PAUSE      | 36. LED de CDG                |
|  | 23. Botón PROGRAM            | 37. LED                       |
|  | 24. Botón REPEAT             | 38. Soporte de los Micrófono  |
|  | 25. Botón RANDOM             | 39. Control Automático de Voz |
|  |                              | 40. Conectador MIC 2          |

## LOCALIZACIÓN DE CONTROLES

ESPAÑOL



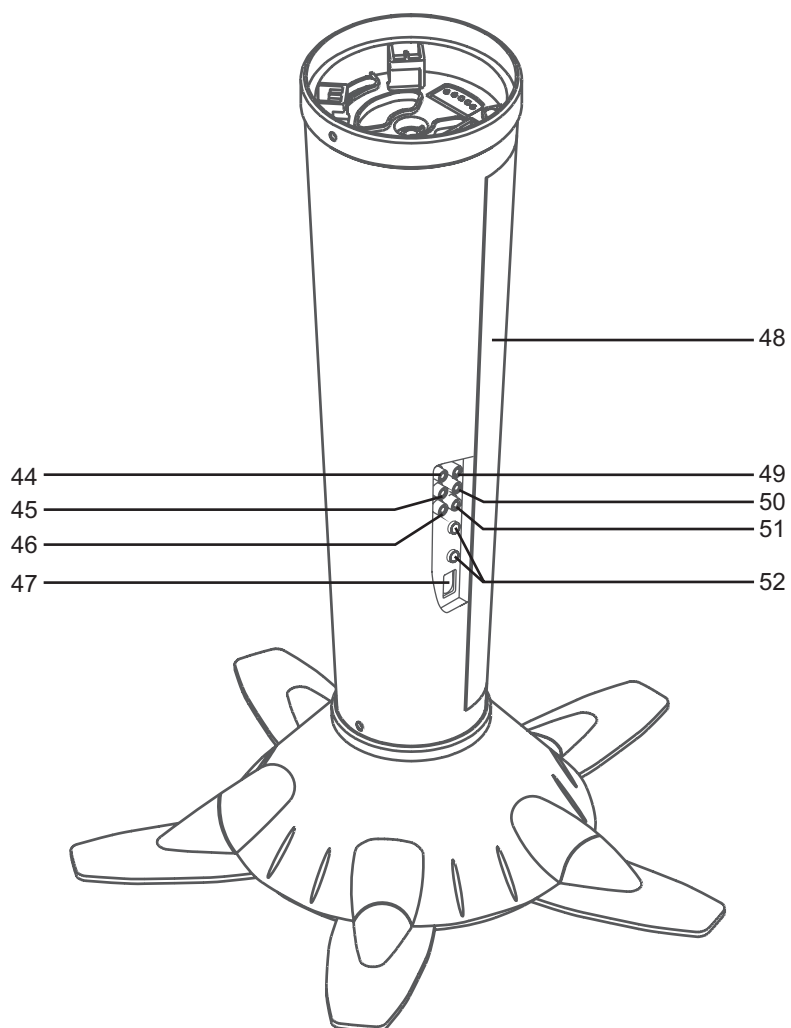
### **VISTA POSTERIOR**

41. Control de Brillo  
42. Control de Contraste

43. Control VERTICAL HOLD

## LOCALIZACIÓN DE CONTROLES

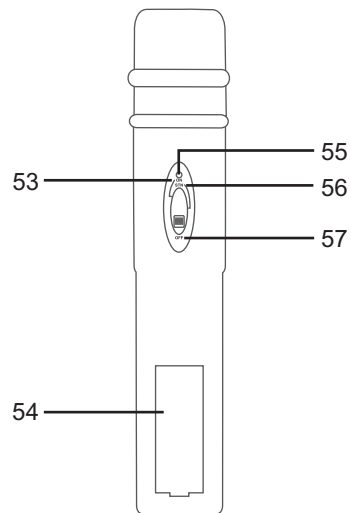
ESPAÑOL



### **VISTA LATERAL**

- |                                     |                                 |
|-------------------------------------|---------------------------------|
| 44. Toma de Entrada Auxiliar (E)    | 49. Toma de Salida Auxiliar (E) |
| 45. Toma de Entrada Auxiliar (D)    | 50. Toma de Salida Auxiliar (D) |
| 46. Toma de VIDEO IN                | 51. Toma de VIDEO OUT           |
| 47. Jack del cable de suministro AC | 52. Toma del ALTAVOZ (E/D)      |
| 48. Altoparlante                    |                                 |

## LOCALIZACIÓN DE LOS CONTROLES DEL MICRÓFONO INALÁMBRICO



ESPAÑOL

### MICRÓFONO INALÁMBRICO

53. Posición ON

54. Compartimiento de las pilas

55. Indicador del LED

56. Posición STANDBY

57. Posición OFF

## HACIENDO LAS CONEXIONES

### CONECTANDO A LA ENERGÍA DE LA RED

UD puede alimentar el sistema del tomacorriente normal de CA usando el cable de energía suministrado.

**CUIDADO:** El cable de energía CA tiene un conector polarizado que se encaja en la toma, de una forma única. Sí el conector no encaja correctamente, delo vuelta e intente de nuevo. No fuerce.

### CONECTANDO A SU FONDO

Existe una conexión para uso de un fono de oído, en vez del altavoz interno. (Fonos de oído, son vendidos separadamente.)

### CONEXIÓN AL APARATO DE TV

La Singing Machine incluye un cordón para proporcionar la opción de conectar un sistema de audio /sonido externo y/o dispositivo de video. El cordón tiene tres conectores RCA en cada extremidad; el Blanco y Rojo son para las conexiones audio, el Amarillo es para conectar el video.

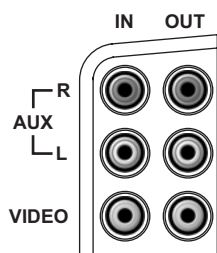
Se recomienda que un disco de CDG esté jugando mientras usted conecte su televisión o VCR. El despliegue del logotipo de la Singing Machine o letras en la pantalla de su televisión asegurará que usted ha conectado su televisión o VCR propiamente.

### CONEXIÓN DE VIDEO

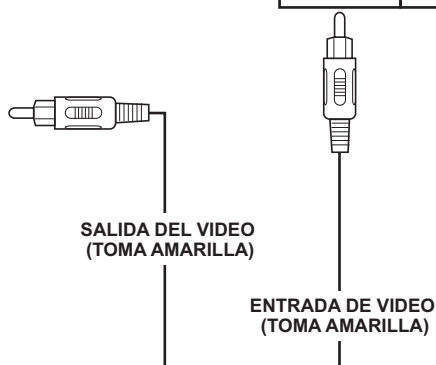
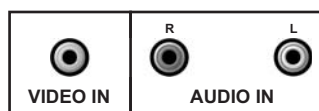
Siga los pasos abajo, para exhibir las letras de las músicas CDG en el monitor de la Singing Machine, pantalla de TV:

- (1) Localice los cables de interconexión multicolores.
- (2) Conecte el cable video (Amarillo) a la salida VIDEO en el lado de la Singing Machine.
- (3) Conecte la otra punta del cable de video (amarillo) a la salida de video de otra fuente tal como VCR o TV.

VISTA LATERAL DE LA SINGING MACHINE



VISTA POSTERIOR DE LA TV



## HACIENDO LAS CONEXIONES

Sí su televisión o VCR no tiene la entrada de video necesaria, UD necesitará de un Modulador RF, que se conecta a la entrada de la antena o de línea de cable de su TV y sirve como entrada de video.

Un modulador de RF puede ser adquirido en cualquier tienda de artículos electrónicos. Sí UD estuviera conectando el video de una Singing Machine en la toma de entrada de video de una TV o VCR, UD debe especificar el origen que la TV o VCR deben exhibir. El guía de usuario de su TV o VCR pueden le decir como exhibir el señal de video de la toma de entrada de video.

Sí UD no tiene el manual de su TV o VCR, sugerimos llamar el departamento de asistencia técnica del fabricante. Solamente el fabricante será capaz de decir, rápidamente, como configurar su TV o VCR para visualizar la señal de video, entrando pela toma de entrada de video.

\* Anotar: Algunos aparatos de TV con proyección no exhiben el fondo azul estándar usado, en la mayoría de los CDG propietarios. Sí el color de fondo fuera inconsistente o parpadear, conecte su Singing Machine a una TV estándar.

### FORMAS COMUNES DE CONFIGURAR SU TV O VCR

Su Singing Machine fue proyectada para conectarse a su TV de la misma manera que UD conecta una cámara de video, VCR o consola de video game. La Singing Machina está enviando, constantemente, señales de video y de audio para las tomas VIDEO OUT y AUX OUT siempre que UD toca un CDG. Nosotros recomendamos tocar un CDG en su Singing Machine antes de hacer estas conexiones. Usted podrá ver las letras en su televisión cuando usted completar la conexión correctamente.

Nosotros nos referimos a TV/VCR porque fabricantes usan formas muy semejantes para conectar TVs y VCRs y UD puede conectar su Singing Machine a una TV, un VCR o a un sistema de satélite. La configuración de su TV/VCR es la parte más difícil al hacer la conexión para visualizar las letras de las músicas de su Singing Machine. E la mayoría de las casas, la TV tiene un cable o una antena en uso. Una vez usted su Singing Machine conectada al TV/VCR, escoja la entrada correcta en su TV/VCR desplegar las letras de La Singing Machine en lugar de la entrada usual del cable o antena.

Verifique en el manual de usuario de su TV/VCR, la forma más fácil de configurar su sistema de entretenimiento en particular. Si usted no tiene su manual contacte su fabricante de TV /VCR para informaciones por el teléfono o en su website para ayuda en línea. Relacionamos abajo las formas más comunes de ajustar una TV/VCR.

- (1) En el menú de configuración de la TV/VCR puede haber una opción para "Selección de Entrada" donde UD puede escoger entre "CAO/ANT", "Video 1" o "Video 2" como fuente de entrada.
- (2) Intente localizar un canal "Video" entre el canal más alto y el canal más bajo en su televisión o VCR. (entre 99 y 2; también puede ser uno de los siguientes: "VIDEO", "ENTRADA" o "JUEGO")
- (3) Busque un botón en el telemando para el TV/VCR que usted está conectando desplegando "VIDEO", "VIDEO 1", "JUEGO", "AUX", "EXT", "LÍNEA 1", "LÍNEA-EN" o el botón de "VCR" podrá también desplegar la entrada Video.

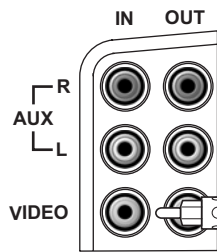
## HACIENDO LAS CONEXIONES

### CONECTANDO UN COMPONENTE DE VIDEO EN LA ENTRADA

Siga los pasos abajo, para exhibir las letras de las músicas CDG en el monitor de la Singing Machine, de otra fuente de video:

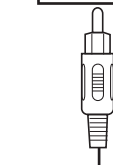
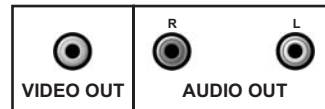
- (1) Localice los cables de interconexión multicolores.
- (2) Conectar el cable vídeo (amarillo) a la entrada Vídeo en el lado de la Singing Machine.
- (3) Conecte la otra punta del cable de video (amarillo) a la salida de video de otra fuente tal como VCR.
- (4) Ponga el selector FUNCTION en la posición AUX y el selector MONITOR en la posición AUX.
- (5) Ajuste los botones de BRILLO, CONTRASTE y SOSTENIMIENTO VERTICAL localizados bajo el monitor de la Singing Machine para mejorar la calidad de imágenes.

#### VISTA LATERAL DE LA SINGING MACHINE



ENTRADA DE VIDEO  
(TOMA AMARILLA)

#### VISTA POSTERIOR DE LA VCR

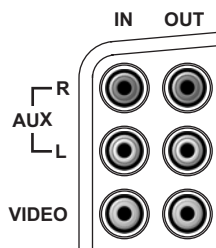


SALIDA DEL VIDEO  
(TOMA AMARILLA)

### CONEXIÓN DE AUDIO

Conecte el unidad a su TV o sistema estereofónico usando las conexiones blanca y roja del cable de interconexión suministrado. Conecte la punta blanca del cable de interconexión en la toma blanca del cable de interconexión en la toma blanca AUX OUT del unidad. Conecte la punta roja del cable de interconexión en la toma roja del cable de interconexión en la toma roja AUX OUT del unidad. Conecte ahora la otra punta del cable (conector blanco del canal izquierdo y conector rojo del canal derecho) en las enchufes AUDIO IN o AUX IN de su TV o sistema de son.

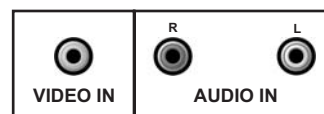
#### VISTA LATERAL DE LA SINGING MACHINE



SALIDA AUXILIAR  
D  
(TOMA BLANCA)

SALIDA AUXILIAR  
E  
(TOMA ROJA)

#### VISTA POSTERIOR DE LA TV



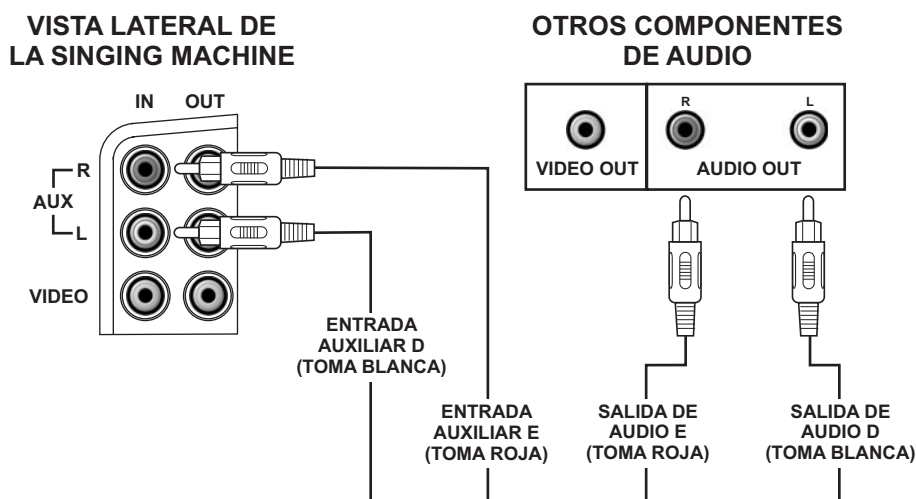
ENTRADA  
DE AUDIO E  
(TOMA ROJA)

ENTRADA  
DE AUDIO D  
(TOMA BLANCA)

## HACIENDO LAS CONEXIONES

### CONECTANDO UN COMPONENTE DE AUDIO EN LA ENTRADA

Para conectar otra fuente de audio (tal como un Sintonizador, Receptor AV o un VCR) de forma que UD pueda acompañar la música, conecte, simplemente, las tomas de Salida de Audio (tomas RCA roja y blanca) de este equipo a las tomas AUX IN D y E de la Singing Machine.



ESPAÑOL

### SELECTOR MONITOR

- Para reproducir un CDG, deje el selector MONITOR en el modo CÁMERA, CDG, AUX u OFF.
- Para exhibir las letras de las músicas del CDG en el monitor de la Singing Machine, deje el selector MONITOR en el modo CDG.
- Para exhibir su imagen en el monitor de la Singing Machine, deje el selector MONITOR en el modo CÁMARA.
- Para desplegar un señal video de otro componente A/V, ponga el Seleccionador de FUNCIÓN al modo AUX y el Seleccionador del MONITOR al modo AUX.
- Para el monitor de la Singing Machine, deje el selector MONITOR en el modo OFF.
- Ajuste los botones de BRILLO, CONTRASTE y SOSTENIMIENTO VERTICAL localizados bajo el monitor de la Singing Machine para mejorar la calidad de imágenes.

### SELECTOR SALIDA VIDEO

- Para exhibir la imagen en la TV, deje el selector FUNCTION en la posición CDG ou AUX y deje el selector SALIDA VIDEO en el modo CAMERA.
- Para exhibir las letras de las músicas del CDG en la TV, deje el selector FUNCTION en la posición CDG y deje el selector SALIDA VIDEO en el modo CDG.

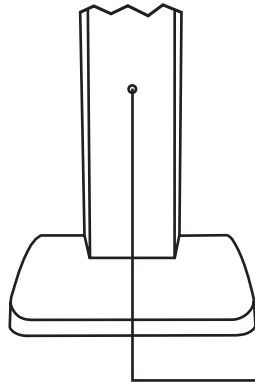
## HACIENDO LAS CONEXIONES

### CONECTANDO A LA SINGING MACHINE

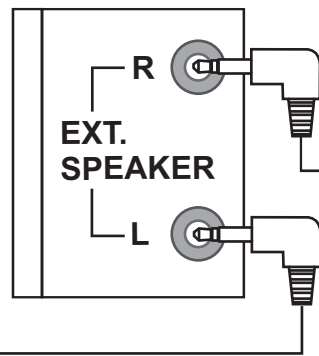
1. Antes de conectar a los altoparlantes, apague la Singing Machine y ajuste el volumen principal y volumen del micrófono al mínimo.
2. Conecte los altoparlantes a la Singing Machine según la ilustración.
3. Encienda su Singing Machine. Ajuste el Volumen principal y Volumen de Micrófono en su Singing Machine a un nivel cómodo.

ESPAÑOL

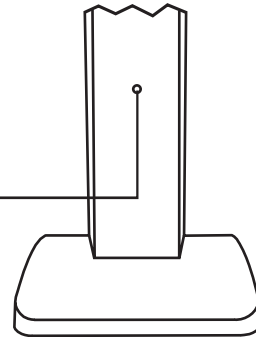
VISTA TRASERA  
DE IZQUIERDA  
DEL ALTOPARLANTE



VISTA LATERAL DE  
LA SINGING MACHINE



VISTA TRASERA  
DE DERECHA  
DEL ALTOPARLANTE



## OPERACIÓN CD O CD+G

- \* **Advertencia - Golpeando o dejando caer el micrófono conectado, puede dañarlo, permanentemente. Resista a la necesidad de tirar el micrófono por el cable!**

### PREPARACIÓN

- Esta unidad fue proyectada para reproducir CDs que contengan el logotipo de identificación "CD+G". Si los CD no están de acuerdo con el estándar CD, ellos no reproducirán adecuadamente.
- Impresiones digitales y polvo deben ser, cuidadosamente, removidos con un paño suave. Pase el paño con un movimiento del centro del disco para el borde externo.
- Jamás use productos químicos tales como sprays de limpieza, sprays antiestáticos o fluidos, benceno o thinner para limpiar un CD. Estos productos químicos pueden dañar, permanentemente, la superficie de plástico del disco.
- Instale un disco en el compartimiento, con el lado impreso para arriba.
- Para remover un disco de su caja, presione el centro de la caja y levante el disco, tomándolo, cuidadosamente, por las bordes.
- Los discos deben ser colocados, de nuevo, en sus cajas después del uso, para protegerlos del polvo y arañazos.
- Para evitar que el disco quede chueco, no lo exponga a la luz directa del sol, ni a un alto índice de humedad o a altas temperaturas, por períodos prolongados.
- No pegue papel ni escriba cualquier cosa, en cualquier fase del disco. Las pinturas usadas en algunos lápices hidrográficos pueden dañar la superficie del disco.

### REPRODUCIENDO UN CD O CDG

- Ajuste los controles MASTER VOLUME de su unidad o sistema de audio, a su gusto.
- Ajuste MIC/ECHO/BALANCE lo necesario para alcanzar la mezcla deseada de música y voz, en su TV o equipo de música.
- No presione el gabinete del compartimiento del CD, cuando el mismo esté en reproducción.
- Nunca ponga ningún objeto extraño sobre la Singing Machine, podrían dañarla.
- No ponga fuerza en exceso en la tapa del disco.
- Ponga solamente un disco en el compartimiento de D de una sola vez.

### ENCENDIENDO Y APAGANDO

- Para encender el centro de karaoke, apriete el botón ON/OFF, el LED ON/OFF encenderá.
- Para desligar el sistema, presione el botón Encender/Apagar de nuevo, el LED de Encender/Apagar apaga.

### FUNCIÓN SELECCIONAR

Ponga la llave FUNCTION SELECT en CDG.

### SELECCIÓN MONITOR

- Para reproducir un CDG, deje el selector MONITOR en el modo CAMERA, CDG, AUX ou OFF.
- Para exhibir las letras de las músicas del CDG en el monitor de la Singing Machine, deje el selector MONITOR en el modo CDG.
- Para el monitor de la Singing Machine, deje el selector MONITOR en el modo OFF.
- Ajuste los botones de BRILLO, CONTRASTE y SOSTENIMIENTO VERTICAL localizados bajo el monitor de la Singing Machine para mejorar la calidad de imágenes.

### INSTALANDO UN DISCO

- Levantar la tapa del compartimiento de CD en el punto ABRIR / CERRAR. Instale un disco en el compartimiento, con el lado impreso para arriba y el lado brillante para bajo.
- Cerrar el compartimiento de CD. El visor del LED muestra el número total de pistas. (Si ningún disco está cargado, el visor mostrará "- -".)

**(Consulte el Guía de Diagnóstico y Reparaciones en la página S23 si el disco estuviera cargado, mas el total de pistas no aparezca.)**

## OPERACIÓN CD O CD+G

### MODO PLAY/PAUSE

- Para empezar a tocar, presione el botón PLAY/PAUSE. La primera trilla [1] y el indicador del LED PLAY PAUSE serán vistos.
- Para interrumpir la reproducción, presione el botón PLAY/PAUSE de nuevo. El LED PLAY/PAUSE parpadea.
- Para continuar a reproducir, presione, de nuevo, el botón.

ANOTACIONES: Presionando PAUSE cuando un CDG está tocando, puede hacer con que letras destorcidas aparezcan en el monitor. Cualquier distorsión debe permanecer hasta que toda la pantalla sea borrada, durante una interrupción instrumental o cuando UD para la canción y reinicia.

### MODO STOP

Sí el botón STOP es presionado durante la reproducción, el disco interrumpe la reproducción. (El número total de pistas será mostrado en el visor LED.)

### SALTE REPRODUCCIÓN (PARA DISCOS CD Y CDG)

- Durante el modo STOP, UD puede saltar hasta el número de trilla deseado, pulsando los botones SKIP (◀◀ - SKIP - ▶▶).
- Para continuar a reproducir, presione de nuevo el botón PLAY/PAUSE.

### ¿CÓMO BUSCAR PISTAS? (SOLAMENTE PARA CD)

Al tocar cualquier CD de audio, presione y mantenga presionado el botón SKIP (◀◀ -SKIP- ▶▶) para hacer una búsqueda, en alta velocidad, para adelante e para tras. Reproducción normal continua cuando UD suelta el botón.

### REPITA

- Para repetir la pista actual, presione el botón REPEAT. El LED REPEAT parpadea y la trilla será repetida.
- Para repetir todas las huellas, apriete el botón REPITA dos veces. El LED REPEAT permanecerá iluminado.
- Para cancelar la función REPEAT, apriete el botón REPEAT de nuevo. El LED REPEAT ya no iluminará.

### PROGRAMA

- Use el botón PROGRAM para reproducir las músicas en el orden preseleccionado.
  - Paso 1: La programación debe ser hecha en el modo de parada. Solamente presione la tecla de programa hasta que el LED de programa parpadee, la pista será mostrada [0].
  - Paso 2: Presione el botón SKIP (◀◀-SKIP-▶▶) para seleccionar una pista deseada.
  - Paso 3: Presione el botón PROGRAM, para confirmar la entrada. UD puede repetir los pasos hasta un máximo de 20 pista.
  - Paso 4: Presione PLAY cuando UD tenga completado la programación y esté listo para empezar a cantar.
- Para borrar todas las memorias de programación, presione el botón STOP.

### CONTROLADOR PRINCIPAL

- Apretando la el botón KEY HIGH / KEY LOW permitirá ajustar los rangos diferentes como mostrado por el LED.
- El botón KEY FLAT se usa para ajustar al nivel predefinido.
- KEY HIGH se usa para aumentar el nivel.
- KEY LOW se usa para bajar el nivel.

## **OPERACIÓN DE OTORS Y RADIO**

### **RADIO AM/FM**

1. Presione el Botón Encender/Apagar.
2. Ponga el selector FUNCTION en la posición RADIO.
3. Ponga BAND SELECTOR en la posición radio AM o FM.
4. Gire el botón de sintonía para seleccionar la estación deseada como indicación en el dial.
5. Ajuste el MASTER VOLUME para el nivel de sonido deseado.
6. Para desligar la radio, deje el selector FUNCTION en la posición CDG o AUX.

### **ACOMPAÑE (SING ALONG) – TRANSMISIÓN RADIO**

1. Siga las instrucciones de operación para AM RADIO/FM RADIO Broadcasting.
2. Conecte el micrófono suministrado a una de las toma (as) de entrada MIC.
3. Ajuste MASTER VOLUME y MIC VOLUME. Su voz será combinada con la salida del estación de radio y será oída por los altoparlante.

### **AMPLIFICACIÓN DE LA POTENCIA – USANDO UN MICRÓFONO**

Procedimiento de Operación con la Amplificación de Potencia

1. Conecte el micrófono suministrado a una de las toma (as) de entrada MIC.
2. Presione el Botón Encender/Apagar para encender el aparato.
3. Presione el botón selector FUNCTION para seleccionar la función "AUX". Ponga el control MIC VOLUME en la posición central.
4. Conecte el Micrófono con el selector ON/OFF localizado en el propio micrófono y hable o cante, a través del. La sensibilidad y el volumen del micrófono pueden ser ajustados, como deseado, girando el control de VOLUME MIC y/el control MASTER VOLUME.
5. Para dar profundidad y ambiente a su voz, ajuste el control de ECHO, hasta que el efecto deseado sea conseguido.

Anotaciones: Para evitar feedback o chillados, verifique si el micrófono no está cerca demás del unidad.

## **FUNCIONAMIENTO DEL MICRÓFONO INALÁMBRICO SMM-107**

- 1) Abra la tapa del compartimiento de las pilas.
- 2) Ponga una batería de 9V en el compartimiento como indicado, respetando la polaridad (+ o -) indicada en el compartimiento el micrófono inalámbrico
- 3) Recoloque la tapa.
- 4) Cierre la tapa del compartimiento de las pilas.
  1. ON - El interruptor está en la posición superior. El micrófono funciona. La luz indicadora roja está prendida. El micrófono usa la energía de la batería.
  2. STANDBY – Llave en la posición intermedia. El micrófono no funciona. La luz indicadora roja está prendida. El micrófono usa la energía de la batería.  
**Anotacione:** El objetivo de este ajuste es mantener una conexión entre el micrófono y la Singing Machine, al moverse en la área en que se está usando. (Esta función también podría ser considerada una función silenciosa)
  3. OFF - El interruptor está en la posición inferior. El micrófono no funciona. La luz indicadora roja está apagada. El micrófono no usa la energía de la batería.

**Anotacione:** Para garantir una duración mayor de batería, verifique si los micrófonos inalámbricos están en posición DESCONECTADO cuando Usted no los usa. Cuando usted no usa el aparato durante un cierto tiempo, recomendase sacar la batería 9V DC.

## **INFORMACIONES DE MICRÓFONO INALÁMBRICO**

**Advertencia: las modificaciones, manoseo y ajustes del aparato o sustitución de un componente del transmisor (cristal, semiconductor) del aparato pueden ser una violación de las reglamentaciones.**

### **ADVERTENCIA FCC**

El sistema de micrófono inalámbrico está de acuerdo con la Parte 90 de la Reglamentaciones FCC. Hay una frecuencia disponible para el sistema. Una licencia es necesaria para la frecuencia que Usted intenta usar antes de usar el sistema.

Consulte el site Internet <http://wireless.fcc.gov/uls/> para pedir la licencia o telefonee para la oficina FCC más próxima para obtener el pedido necesario. La obtención de la licencia depende de la utilización que Usted va a hacer con el sistema.

### **Para exposición a RF**

NOTA IMPORTANTE: Para obedecer los requisitos de FCC para exposición a RF, no se permite ningún cambio a la antena o el dispositivo. Cualquier cambio a la antena o el dispositivo podría producir exceso de exposición a los RF del sistema.”

### **INFORMACIÓN DE SEGURIDAD**

Su micrófono inalámbrico contiene un transmisor de baja potencia. Cuando el EUT está encendido él manda señales de radio-frecuencia (RF). En agosto del 1996, la Comisión Federal de Comunicaciones (FCC) adoptó las reglamentaciones de exposición a los RF con niveles de seguridad para los dispositivos inalámbricos.

### **IMPORTANTE**

Para respetar las reglamentaciones FCC de exposición a las RF sostiene el transmisor y antena por lo menos 1 pulgada (2,5 centímetros) de su cara y habla en una voz normal, con la antena apuntada para arriba y lejos de la cara. Asegure que la antena es por lo menos 1 pulgada (2,5 centímetros) de su cuerpo cuando usted usa su micrófono inalámbrico. Use sólo la antena proporcionada. Antenas desautorizadas, modificaciones, o accesorios podrían dañar el transmisor y pueden violar las regulaciones de FCC.

## CUIDADOS Y MANTENIMIENTO

### INTERRUPTOR DE FUERZA

Después de utilizar el unidad, desconecte la energía eléctrica, presionando el botón Encender/Apagar.

### LIMPIANDO LA UNIDAD

Para limpiar la parte externa de la unidad, refriegue con un paño limpio y suave, humedecido con agua potable, pura.

### Limpiando las Lentes de Láser del CD

Para los Mejores Resultados: Use un disco de limpieza de lentes del CD, de acuerdo con las instrucciones del fabricante del disco de limpieza.

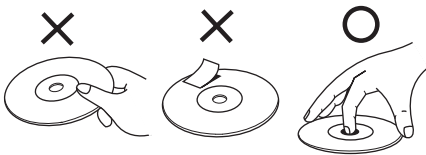
Si un disco de limpieza del cabezote del láser no estuviera disponible, use un paño de algodón seco, limpio, suave para pasar en la lente pequeña del láser, localizado en la toca CD.



**Para evitar incendios o choques eléctricos, desconecte su sistema estéreo de la tomacorriente CA al hacer la limpieza.**

### CD MANIPULANDO EL DISCO

A pesar de las trillas musicales del disco estar cubiertas con una capa de protección, es aconsejable manosearlo con cuidado. Tome siempre los discos por el borde y guárdelos de vuelta en sus cajas, inmediatamente después del uso.



### LIMPIEZA DEL DISCO

Limpieza no será siempre necesaria. No obstante, si hay impresiones digitales, polvo o suciedad, UD puede limpiarlas, con un paño suave, que no suelte pelusas. Pase el paño con un movimiento del centro del disco para el borde externo. UD puede humedecer primero el paño con agua natural de la llave, sí necesario.



**ATENCIÓN:** No usar detergente o productos abrasivos porque podrían dañar el disco

### LECTOR DE CD

El mecanismo de reproducción es equipado con un eje auto lubricante y no debe ser lubricado ni engrasado oiled or greased.

## GUÍA DE DIAGNÓSTICO Y ARREGLO DE FALLAS

Sí UD ha seguido las instrucciones y está con dificultades en operar la unidad, localice el PROBLEMA en la columna izquierda abajo. Verifique la columna CAUSA PROBABLE para localizar y reparar el problema.

PROBLEMA	CAUSA PROBABLE	SOLUCIÓN
Sin tensión cuando activado.	Conectador CA no está conectado en la toma.	Instale el conectador de alimentación en la conexión CA.
Sin tensión cuando conectado.	El cordón de suministro de energía no es conectado a su Singing Machine.	Conecte el cordón de suministro de energía firmemente.
Sin sonido.	Control de Volumen ajustado al mínimo.	Aumente el volumen.
Ningún sonido de televisión o PA	La función incorrecta fue seleccionada.	Seleccione la función correcta.
	Televisión o sistema PA al mínimo	Aumente el volumen de la televisión o sistema PA.
	Televisión o sistema PA desconectado.	AConecte la televisión o sistema PA.
	Los cordones de conexión no están firmemente conectados.	Asegure que los cordones de conexión blanco y rojo están firmemente conectados en La Singing Machine y el sistema de TV/PA
CD player no funciona normalmente o el LED despliega "--", "E" o "00"	Disco colocado con su fase al contrario.	Instale el disco correctamente.
	Disco está sucio.	Pase un paño suave y limpio.
	Disco está arañado.	Use un disco nuevo.
	Disco está chueco.	Use un disco nuevo.
	Un disco sin estandarización fue colocado.	Use solamente los discos que tengan el logotipo estándar como descrito en la página S18.
	Acumulo de humedad en el interior del deck de CD.	Espere aproximadamente 20 a 30 minutos para dejar secar.
	Singing Machine necesita ser reiniciada (reset).	Desconecte la máquina de la corriente durante 30 segundos y reconecte.

## GUÍA DE DIAGNÓSTICO Y ARREGLO DE FALLAS

PROBLEMA	CAUSA PROBABLE	SOLUCIÓN
Ningún sonido - cuando el audio es conectado a un sistema estéreo de casa	La selección de la fuente no está bien configurada en el estéreo de música.	Seleccione AUX IN como entrada para su equipo doméstico de música.
	Conexión inadecuada al sistema estéreo o amplificador de potencia.	Siga las instrucciones en la página S15 para conectando a un sistema estereofónico doméstico.
	Los cordones de conexión no están firmemente conectados.	Asegure que los cordones de conexión blanco y rojo están firmemente conectados en La Singing Machine y el sistema estereofónico.
La letra de la música no aparece en la pantalla.	Cable de video no está conectado correctamente en la TV.	Conecte el cable de video (amarillo) en VIDEO IN/OUT en la trasera de la Singing Machine (función de karaokê).
	TV no tiene una entrada de video.	Conecte el VIDEO OUT del sistema al VIDEO IN de su VCR, o conecte un Modulador de RF y de este para la entrada del cable de la TV. Consulte "Haciendo las Conexiones" en la página S13. Verifique si el disco esta CDG.
	Un disco sin estandarización fue colocado.	Utilice solamente los discos que llevan insignia estándar de CDG.
	Selector de Entrada en la TV no está en video.	Use su telemando de TELEVISIÓN para seleccionar la entrada VIDEO apropiada o seleccionar la entrada VIDEO apropiada en la propia TELEVISIÓN (Ver página S14 los Medios Comunes para configuración de su TV o Aparato de Vídeo).
	Un CDG es colocado, pero el indicador de CDG no se enciende.	Verifique si el disco está limpio. (Vea las instrucciones de limpieza, en la página S22.)

ESPAÑOL

## GUÍA DE DIAGNÓSTICO Y ARREGLO DE FALLAS

PROBLEMA	CAUSA PROBABLE	SOLUCIÓN
Sin sonido (sí el audio estuviera pasando por TV o VCR).	Selección de Entrada en la TV o VCR no está correcta.	Siga las instrucciones en la página S13 para "Haciendo las Conexiones".
	Los cordones de conexión no están firmemente conectados.	Asegure que los cordones de conexión blanco y rojo están firmemente conectados en La Singing Machine y el TV/VCR.
Cuando un CDG es tocado y que Usted canta en el micrófono, la música de fondo o las voces son cortadas.	AVC está al máximo.	Regular AVC al mínimo.
	Toca solo la pista de música.	Toca la pista con música y voces.
La imagen está saltando de arriba abajo.	Control VERTICAL HOLD no está ajustado, correctamente.	Ajuste control VERTICAL HOLD.
El despliegue está borroso.	La cámara no ha calentado.	Espere un minuto por la cámara calentar.
	La Lente de la cámara está sucia.	Limpie la lente de la cámara.
	La Lente de la cámara está fuera de enfoque.	Ajuste la lente de la cámara girando ligeramente para la izquierda o derecha hasta que el despliegue esté claro. No vuelva la lente demasadamente.
Ninguna imagen despliega en el monitor al intentar usar la función de la cámara.	Selector MONITOR no está en la posición correcta.	Ponga el selector MONITOR en el modo CÁMERA.
	El control de brillo no fue regulado correctamente en la Singing Machine.	Regular el de Brillo en la Singing Machine.
	La lente de la camera está para bajo.	Levante la lente de la cámara.
	La tapa de lente está cerrada.	Remover la tapa de lente.

## GUÍA DE DIAGNÓSTICO Y ARREGLO DE FALLAS

PROBLEMA	CAUSA PROBABLE	SOLUCIÓN
La música & Voces están tocando a una velocidad alta.	El control Key está en High.	Ajuste el control Key para Flat.
Mientras toca una huella de CDG con música y voces sólo música u voces son tocados.	El equilibrio esta a izquierda o derecha.	Ajuste el equilibrio al medio punto.
El micrófono inalámbrico no está funcionando pero el LED se ilumina.	El micrófono no está en posición "ON".	Posicione el micrófono en posición "ON".
	El micrófono está en Posición "STN".	
	La batería está muerta.	Reemplace la batería.
El micrófono alambrado no es activo.	El micrófono no está en posición "ON".	Posicione el micrófono en posición "ON".
	El micrófono no está conectado firmemente a la enchufe del micrófono.	Asegure que el micrófono esté conectado firmemente a la enchufe 1 o 2 del micrófono.

ESPAÑOL

## DETALLES TÉCNICOS

<b>SECCIÓN DE AUDIO:</b> <b>UNIDAD PRINCIPAL</b> POTENCIA DE SALIDA (MÁXIMA) IMPEDANCIA DE SALIDA <b>ALTOPARLANTES DE TORRE</b> POTENCIA DE SALIDA (MÁXIMA) IMPEDANCIA DE SALIDA	7 WATTS (RMS) 3 OHMS  7 WATTS (RMS) 3 OHMS
<b>SECCIÓN DEL CD PLAYER:</b> FRECUENCIA DE RESPUESTA RELACIÓN SEÑAL/RUIDO RUIDO Y SISEO CONVERSIÓN D - A NÚMERO DE LOS PROGRAMAS  SISTEMA DE MUESTRA	100 Hz - 20 kHz (+/-3 dB) 50dB (A-WTD) INMENSURABLE CONVERTOR D/A DE 1 BIT PROGRAMACIÓN DE ACCESO ALEATORIO DE 20 PASOS ANTIALIASING (REDUCCIÓN DE DISTORSIÓN) 8 VECES
<b>SECCIÓN DEL MONITOR</b>	PANTALLA DE 7" EN BLANCO Y NEGRO SISTEMA NTSC RESOLUCIÓN 220 LÍNEAS
<b>SECCIÓN DE RADIO:</b> FAJA DE FRECUENCIA AM BANDA DE FRECUENCIA FM	530-1710KHz 88-108MHz
<b>MICRÓFONO CON CORDÓN</b>	-74 dB 600 OHMS DE IMPEDANCIA CON MICRÓFONO DINÁMICO Ø6.3mm
<b>SECCIÓN DE ALIMENTACIÓN</b>	CA 110V-120V-60Hz
<b>DIMENSIONES</b> (ALTURA x ANCHO x PROFUNDIDAD)	37.5 x 17.7 x 17.1 pulgadas / 95.2 x 45.0 x 43.5 centímetros
<b>PESO</b>	29.5 lbs / 13.4 kgs
<b>ACCESORIOS</b>	1. CDG DE KARAOKÉ PREGRABADO 2. CABLE AV 3. MICRÓFONO INALÁMBRICO 4. TORNILLOS 5. CABLE DE ENERGÍA CA.

Especificaciones son típicas, unidades individuales pueden tener variaciones. Ellos (ellas) están sujetas a mejoría constante sin previo aviso y sin incurrir en ninguna obligación.

## **GLOSARIO DE TÉRMINOS DE KARAOKE DE LA SINGING MACHINE**

Además de toda la terminología asociada a los productos electrónicos de consumo, algunos ítems adicionales son usados casi exclusivamente en karaoke. Estos términos tienen el objetivo de familiarizarle con el mundo del karaoke. Los recursos enumerados abajo pueden no pertenecer, necesariamente, al modelo de Singing Machine que UD tiene. Abajo algunas explicaciones resumidas de los términos de Karaoke:

### **Control ECHO:**

El eco da profundidad y resonancia a la voz del cantante, sin afectar la música. El eco es producido por una realimentación controlada de la voz del cantor.

### **Grabación Múltiplex:**

Nuestras grabaciones múltiplex tienen 2 copias de la misma canción. Una versión es una grabación estereofónica de la canción sin la voz del cantor. La segunda versión es grabada con la música y voces de fondo, en el canal izquierdo y el cantor principal, en el canal derecho. Esta grabación "split track" (trilla compartida) permite que UD tenga un control del volumen de la voz del cantor principal ajustando el control de BALANCE. UD puede hacer un dueto con el cantor principal o usar el vocalista como un guía, para aprender la canción, reduciendo, gradualmente, el control de BALANCE, hasta que UD sea capaz de cantar la canción por UD mismo.

### **Control Automático de Voz (A.V.C.):**

Cuando la función AVC es activada, las voces, en una grabación múltiplex, son eliminadas así que el cantor empiece a cantar con el micrófono. Cuando el cantor para de cantar, las voces, en la grabación múltiplex son inmediatamente reactivadas. Esta función útil es usada, principalmente, durante las secciones de ensayo, cuando el cantor está aprendiendo la canción. Por favor observe que la función de AVC sólo funciona con grabaciones múltiplex y no con grabaciones normales de audio.

### **Control PITCH:**

La función controla el tono de la música, controlando la velocidad, con la cual la cinta casete es reproducida. Aumentando la velocidad de la cinta, la música suena más aguda o más grave.

### **Controlador Principal:**

Este control cambia el tono de la música CD/CDG (tonos + o -) para ajustar la voz del cantante.

### **CDG:**

Esto es un acrónimo para Compact Disc más Graphics. UD encontrará también las variaciones CD+G y CD + imágenes (CD + Graphics). Él es un CD de audio normal, con informaciones almacenadas, en una trilla de datos, simultánea a la música. En lenguaje simple, CDG, tiene una salida de video para imágenes simples (no un video con movimientos completos). En el caso de karaoke, la función de imagen es usada para almacenar letras de música y visualizar la letra en sincronía con la música. En la mayoría de los casos el software CDG exhibe la letra de la música que cambia de color a la medida que ella debe ser cantada. Un aparato normal de televisión es todo lo que necesita para ver las letras del CDG.

**ATENCIÓN** - CDG es un tipo especial de sistema de codificación del CD que es diferente de un VCD o DVD. Su Singing Machine puede decodificar CDs normales de audio y discos CDG. El no reproduce VCD o DVD.

Discos de audio estándar y cintas cassetes no exhiben las letras de música en su TV. Los CD de audio, no tienen el software necesario para visualizar las letras de las músicas.

# AVERTISSEMENTS

**AVERTISSEMENT:** POUR REDUIRE LE RISQUE D'INCENDIE OU DE CHOC NE PAS EXPOSER CE PRODUIT A LA PLUIE OU HUMIDITE.



**AVERTISSEMENT:** POUR EVITER DES RISQUES DE CHOC ELECTRIQUE, NE RETIREZ PAS LE COUVERCLE NI LE PANNEAU ARRIERE. NE CONTIENT PAS DE PIECES REPARABLES PAR L'UTILISATEUR. SOUMETTRE TOUTES LES REPARATIONS A UN PERSONNEL QUALIFIE.

FRANÇAIS

La marque AVERTISSEMENT est situé sur le panneau arrière.



Ce symbole vous alerte de la présence de voltage dangereux non isolé à l'intérieur des produits et qui auraient une force suffisante pour provoquer des risques de choc électrique. Ne pas ouvrir le boîtier de l'appareil.



Ce symbole vous informe que d'importantes instructions de fonctionnement et d'entretien sont comprises dans la littérature qui accompagne le produit.



**RISQUE DU FEU - REMPLACEZ LE FUSIBLE COMME MARQUÉ**

## AVERTISSEMENT

POUR EVITER DES CHOCS ELECTRIQUES, PLACEZ LA LAME LARGE DANS LA FENTE LARGE ET ENFONCEZ COMPLETEMENT.

## AVERTISSEMENT HUMIDITE

Ne pas exposer le produit à des gouttes ni à des éclaboussures et il ne faut placer aucun objet contenant des liquides (vases par exemple) à proximité du produit.

## AVERTISSEMENT POUR LA VENTILATION

La ventilation normale du produit ne doit pas être obstruée pour l'usage prévu.

Le lecteur de CD est fabriqué et testé pour répondre à des normes spécifiques de sécurité. Conforme aux exigences FCC et obéit aux normes de sécurité du Département Américain de Santé et Services Humains.

## AVERTISSEMENTS:

- Le lecteur de CD utilise un rayon laser. Seule une personne qualifiée pourra retirer le couvercle et faire les tentatives de réparations de cet appareil, à cause de possibles blessures aux yeux.
- L'utilisation de contrôles, réglages, ou procédures autres que ceux/celles spécifiés ici pourrait causer une exposition dangereuse à des radiations.
- Utilisez l'appareil dans un endroit ouvert.

## AVERTISSEMENT

Le lecteur de disque compact est classé PRODUIT LASER CLASSE 1. L'étiquette PRODUIT LASER DE CLASSE 1 est située sur le panneau arrière.



## AVERTISSEMENT!

Radiation laser invisible quand ouvert et verrous désengagés. Eviter l'exposition aux rayons solaires.

## IMPORTANT

Puisque les circuits de ce lecteur CD peuvent créer des parasites aux autres syntoniseurs radio à proximité, mettez cet appareil hors tension lorsque vous ne l'utilisez pas ou éloignez-le du syntoniseur qui subit les interférences.

**Cet appareil numérique de la classe B est conforme à la norme NMB-003 du Canada.**


# AVERTISSEMENTS

REMARQUE: Cet appareil numérique ne dépasse pas les limites de classe B se rapportant aux émissions de parasites radio provenant d'appareils numériques, selon les restrictions d'Industrie Canada relatives aux interférences radio. Cet appareil génère, utilise et peut émettre des fréquences radio et s'il n'est pas installé et installé selon les instructions, peut nuire aux radiocommunications. Toutefois, rien ne garantit que des parasites ne surviendront pas dans une installation particulière. Si cet appareil cause des interférences nuisibles à la réception du téléviseur ou de la radio, ce que vous pouvez déterminer en ouvrant et en fermant votre appareil, nous vous invitons à essayer l'une des mesures correctives suivantes:

- Réorientez ou déplacez l'antenne de réception installée sur l'appareil qui manifeste les parasites.
- Éloignez l'appareil du composant qui reçoit les ondes.
- Branchez l'appareil dans une prise de courant CA différente de celle du composant qui reçoit les ondes.
- Au besoin, consultez votre marchand électronique ou un technicien spécialisé dans le service des Radios/téléviseurs pour des suggestions supplémentaires.

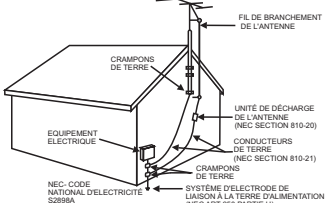
# IMPORTANTES INSTRUCTIONS DE SECURITE

FRANÇAIS

1. **Lisez les Instructions** - Lisez toutes les instructions de sécurité et de fonctionnement avant d'utiliser ce produit.
  2. **Conservez les Instructions** - Conservez les instructions de sécurité et fonctionnement pour future référence.
  3. **Mises en Garde** - Respectez tous les avertissements sur le produit et le mode d'emploi du produit.
  4. **Se Conformer Aux Instructions** - Veuillez vous conformer à toutes les instructions concernant le fonctionnement de l'appareil.
  5. **Nettoyage** - Débranchez l'appareil de la prise murale "avant de nettoyer". Ne pas utiliser de produits de nettoyage liquide ou en aérosol. Utilisez un chiffon humide pour nettoyer l'extérieur seulement. N'essayez pas de nettoyer à l'intérieur.
  6. **Accessoires** - Ne pas utiliser d'accessoires non recommandés par le fabricant du produit car ils pourraient être dangereux.
  7. **Eau et Humidité** - Ne pas utiliser ce produit près de l'eau - par exemple près d'une baignoire, d'une baignoire, d'une piscine, d'un évier ou d'une lessiveuse; ni dans une cave humide ni près d'une piscine.
  8. **Accessoires** - Ne pas placer ce produit sur un chariot, stand, trépied, support ou table instables. Le produit peut tomber, causant de sérieuses blessures à un enfant ou adulte, et provoquant de sérieux dégâts au produit. Utilisez seulement un chariot, trépied, support ou table recommandés par le fabricant ou vendus avec le produit. Toute installation sur le produit doit être faite en suivant les instructions du fabricant et en utilisant les accessoires de montage recommandés par le fabricant.
  9. L'appareil et son chariot doivent être déplacés avec soin. Des arrêts rapides, de la force excessive et des surfaces irrégulières peuvent faire tomber l'appareil et le chariot.
- 
10. **Ventilation** - Les fentes et ouvertures du boîtier servent à la ventilation et à assurer un fonctionnement sûr du produit et à le protéger de surchauffement; ces ouvertures ne doivent pas être bloquées ni couvertes. Les ouvertures ne doivent jamais être bloquées en plaçant le produit sur un lit, canapé, tapis ou autre surface semblable. Ce produit ne doit pas être placé dans une installation encastrée telle qu'une étagère à livres ou une armoire à moins qu'il n'y ait une ventilation adéquate.
  11. **Sources d'Alimentation** - Ce produit doit être mis en marche seulement à partir d'une source d'alimentation indiquée sur l'étiquette. Si vous n'êtes pas sûr du type d'alimentation chez vous, consultez le revendeur du produit ou la compagnie d'électricité locale. Pour les produits devant fonctionner sur piles ou d'autres alimentations, voir les instructions de fonctionnement.
  12. **Liaison à la terre ou Polarisation** - Le produit peut être équipé d'une prise de ligne de courant alternatif polarisée/du type à trois fils avec terre (c'est à dire une prise qui possède une lame plus large que l'autre/une prise avec un troisième "goujon de terre"). Cette prise ne rentrera dans la prise d'alimentation que d'une façon. C'est un dispositif de sécurité. Si la prise ne rentre pas débranchez et essayez à nouveau. Si la prise ne convient toujours pas contactez votre technicien pour remplacer la prise défectueuse. Ne pas annuler la sécurité de la prise de polarisée.

**Avertissements Alternés** - Le produit peut être équipé d'une prise du type à trois fils avec mise à la terre (une prise avec un troisième "goujon de terre"). Cette prise ne rentrera que dans une prise d'alimentation possédant une "liaison à la terre". C'est un dispositif de sécurité. Si la prise ne convient toujours pas contactez votre technicien pour remplacer la prise défectueuse. Ne pas annuler la sécurité de la mise à la terre.

## IMPORTANTES INSTRUCTIONS DE SECURITE

- 13. Protection du fil d'Alimentation** - Les fils d'alimentation doivent être placés de manière à ce que l'on ne marche pas dessus ou qu'ils soient pincés par des objets placés sur ou contre eux, en faisant particulièrement attention aux fils branchés aux prises, boîtiers et au point de sortie de l'appareil.
- 14. Prise Accessoire de Protection** - Le produit est équipé d'une prise accessoire avec protection de surcharge. C'est un dispositif de sécurité. Voir le Manuel d'Instructions pour le remplacement ou la réinstallation de dispositif de protection. Si le remplacement de la prise s'avère nécessaire, vérifiez que le technicien utilise une prise spécifiée par le fabricant et qui offre la même protection de surcharge que la prise originale.
- 15. Liaison à la terre de l'Antenne Externe** - Si une antenne externe est connectée au récepteur, vérifiez que le système d'antenne est relié à la terre de façon à offrir une protection contre les variations de voltage et décharges statiques. L'article 810 du Code National Electrique, ANSI/NFPA 70, fournit les informations concernant la mise à la terre correcte du mât et de la structure de soutien, mise à la terre du fil à l'unité de décharge de l'antenne, localisation de l'unité de décharge de l'antenne, connexion aux électrodes de terre, et exigences pour les électrodes De mise à la terre. Voir figure:
- 
- 16. Foudre** - Pour une protection supplémentaire de ce produit, pendant un orage avec des éclairs, ou quand il n'est pas utilisé pendant de longues périodes, débranchez-le de la prise murale et déconnectez l'antenne ou le système de câble. Ceci évitera les dommages aux produits dus à la foudre et aux surcharges électriques.
- 17. Lignes Électriques** - Ne pas installer de système d'antenne externe au voisinage de fils électriques aériens ou de lampe électrique ou circuits d'alimentation ou bien dans un endroit où elle pourrait tomber sur de tels fils ou circuits. Quand vous installez une antenne externe, il faut prendre un soin extrême à ne pas toucher les lignes de courant ou circuits, car le contact pourrait être fatal.
- 18. Surcharge** - Ne pas surcharger toutes les prises, rallonges, ni les boîtiers, car cela créerait un risque d'incendie ou de choc électrique.
- 19. Entrée d'objet et de liquide** - Ne jamais mettre d'objets quels qu'ils soient dans les ouvertures car ils pourraient toucher des points de voltage dangereux et provoquer des courts-circuits de parties qui pourraient résulter en un incendie ou un choc électrique. Ne jamais renverser de liquide quel qu'il soit sur l'appareil.
- 20. Réparations** - N'essayez pas de réparer ce produit par vous-même car en ouvrant ou retirant les couvercles vous vous exposeriez à un voltage dangereux ou à d'autres risques. Soumettre toutes les réparations à un personnel qualifié.
- 21. Dégât Exigeant Réparation** - Débranchez l'appareil de la prise murale et faites faire les réparations par du personnel qualifié dans les conditions suivantes:
- Quand le fil d'alimentation ou la prise sont endommagés,
  - Si un liquide a été renversé, ou si des objets sont tombés dans l'appareil,
  - Si l'appareil a été exposé à la pluie ou à l'eau,
  - Si l'appareil ne fonctionne pas normalement en suivant les instructions de fonctionnement. Ne réglez que les contrôles qui sont indiqués dans le mode d'emploi, car un mauvais réglage pourrait causer des dégâts et demandera beaucoup de travail de la part d'un technicien qualifié pour le remettre en état.
  - Si l'appareil est tombé ou endommagé d'une façon ou d'une autre, et
  - Quand le produit présente un changement distinct d'exécution, cela indique qu'il y a besoin de réparation.
- 22. Remplacement de Pièces** - Quand il faut changer des pièces, vérifiez que le technicien de service a utilisé les pièces de rechange spécifiées par le fabricant ou qui aient les mêmes caractéristiques que la pièce originale. Des substitutions de pièces non autorisées pourront causer un incendie, choc électrique ou autres dangers.
- 23. Vérification de Sécurité** - A la fin de tout service ou réparation de cet appareil, demander au technicien de faire les vérifications de sécurité pour déterminer si l'appareil est en condition de fonctionnement correct.
- 24. Montage au mur ou au plafond** - Le produit devra être monté au mur ou au plafond seulement de la façon indiquée par le fabricant.
- 25. Chaleur** - Le produit doit être situé loin de sources de chaleur telles que radiateurs, compteurs, cuisinières ou autres produits (y compris amplificateurs) qui produisent de la chaleur.

## **INTRODUCTION**

---

Votre Appareil de Karaoké avec socle vous donnera beaucoup de plaisir et de divertissement. Vous serez la "star" quand vous chanterez en vous accompagnant sur vos enregistrements préférés ainsi que lorsque vous entendrez votre voix dans les haut-parleurs.

Cet appareil de karaoké est compact et conçu pour présenter beaucoup de fonctions, tout en étant facile à utiliser. Après quelques petites explications, vous devenez un expert. Avant d'essayer d'utiliser votre appareil, veuillez lire soigneusement ce manuel pour vous familiariser avec toutes les fonctions disponibles et les sections du manuel qui décrivent ces fonctions. Ensuite, reportez-vous à la section pour l'opération spécifique que vous voulez réaliser.

Pour faciliter vos consultations, quelques-unes des principales caractéristiques du Centre de karaoké sont énumérées ici:

**Paroles sur l'écran TV** - affiche les paroles au rythme de la musique quand un CD+G est joué.

**Contrôle Automatique de Voix (A.V.C.)** - vous permet de remplacer la voix originale du chanteur par votre propre voix quand un disque karaoké multiplex préenregistré est joué. Pour activer, tournez simplement le Volume du Micro jusqu'à un niveau confortable d'audition, et le Contrôle Auto Voix pour une meilleure balance entre la reproduction et le niveau des micros.

**Contrôle de BALANCE** - vous permet de régler la balance entre la voix originale préenregistrée du chanteur et la musique en utilisant un disque de karaoké multiplex.

**Contrôle d'ECHO** - vous permet d'ajouter un écho pour enrichir votre voix avec un effet de concert.

**Contrôle De Volume Principal** - Vous permet de tourner le contrôle de volume dans le sens des aiguilles d'une montre ou dans le sens contraire jusqu'à ce que vous obteniez le niveau sonore désiré.

**KaraokeVision™** - soulevez l'objectif de la caméra pour afficher l'image sur le moniteur de la Singing Machine ou à la TV

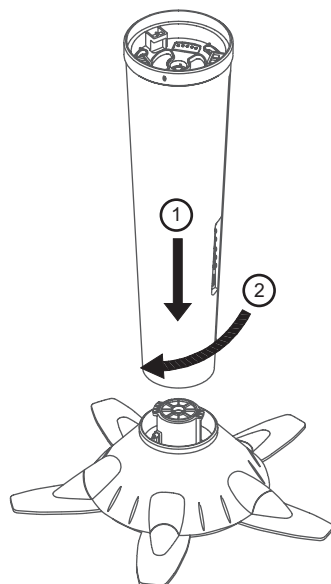
**Haut-parleur stéréo encastré** - vous permet de faire partager la musique à votre famille et à vos amis.

**Jacks de sortie auxiliaires** - vous permet de vous connecter à un autre appareil de sortie audio, tel un equalizer / booster ou un système PA (public).

**Prise jack de l'écouteur** - vous permet de brancher un casque écouteur au lieu d'écouter par les haut-parleurs encastrés.

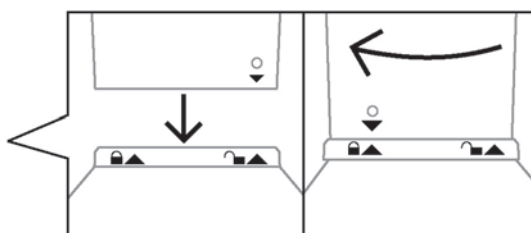
## INSTALLATION

FRANÇAIS



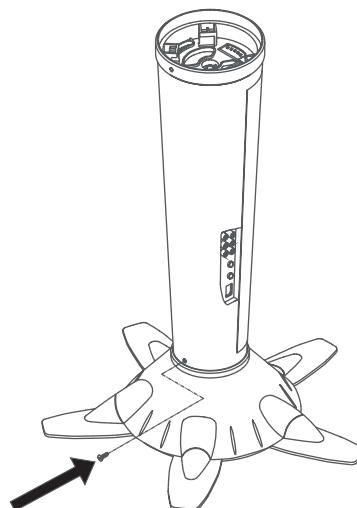
### ETAPE 1

1. Installez ensemble le haut-parleur (milieu) dans le support (bas) conformément à l'illustration.

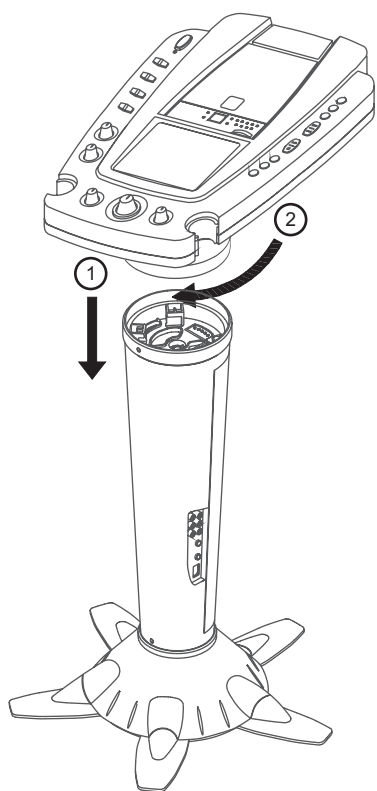


### ETAPE 2

2. Serrez une vis auto-vissante au bas du haut-parleur (milieu).

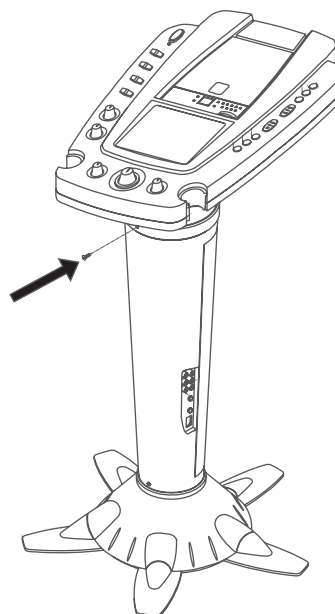


## INSTALLATION



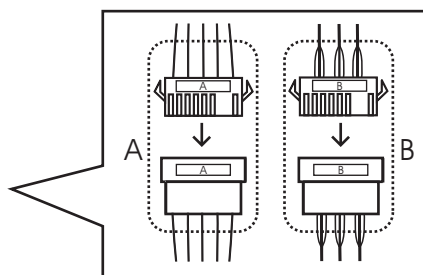
### ETAPE 4

4. Serrez une vis auto-vissante au panneau de contrôle (haut).

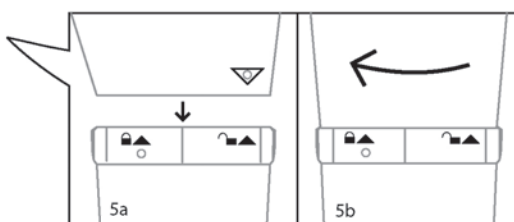


### ETAPE 3

3. Installez ensemble le panneau de contrôle (haut) dans le haut-parleur (milieu) conformément à l'illustration. conformément à l'illustration..



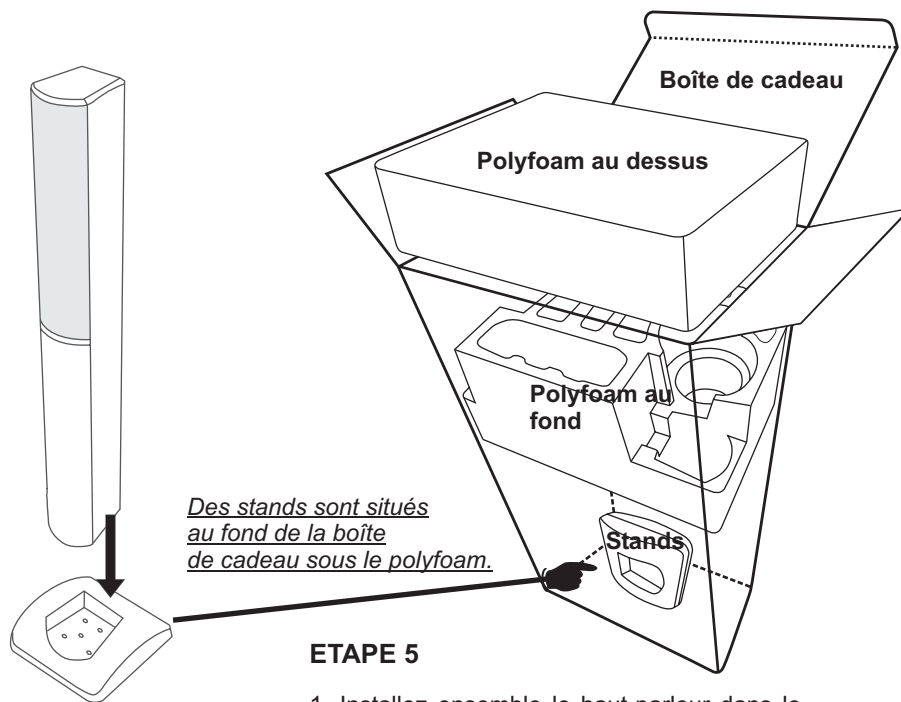
- Suivre les étiquettes (A à A&B à B) pour brancher les connecteurs.



FRANÇAIS

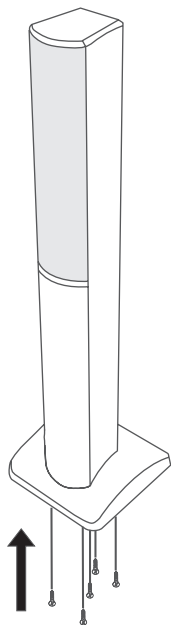
## INSTRUCTIONS POUR L'INSTALLATION DES HAUT-PARLEURS TOURS

FRANÇAIS



### ETAPE 5

1. Installez ensemble le haut-parleur dans le support conformément à l'illustration.

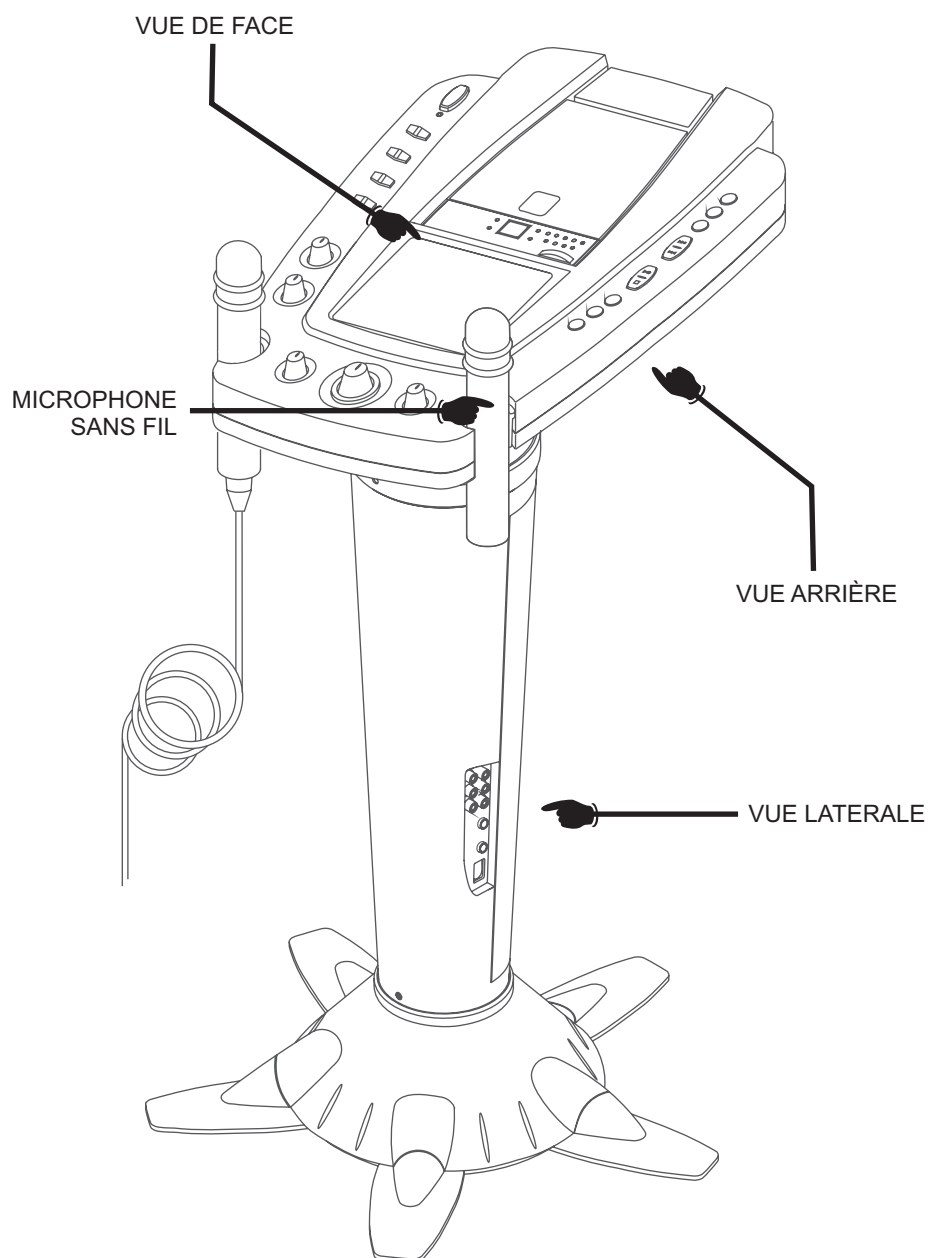


### ETAPE 6

2. Serrez cinq vis au bas du haut-parleur.

## LOCALISATION DES CONTRÔLES

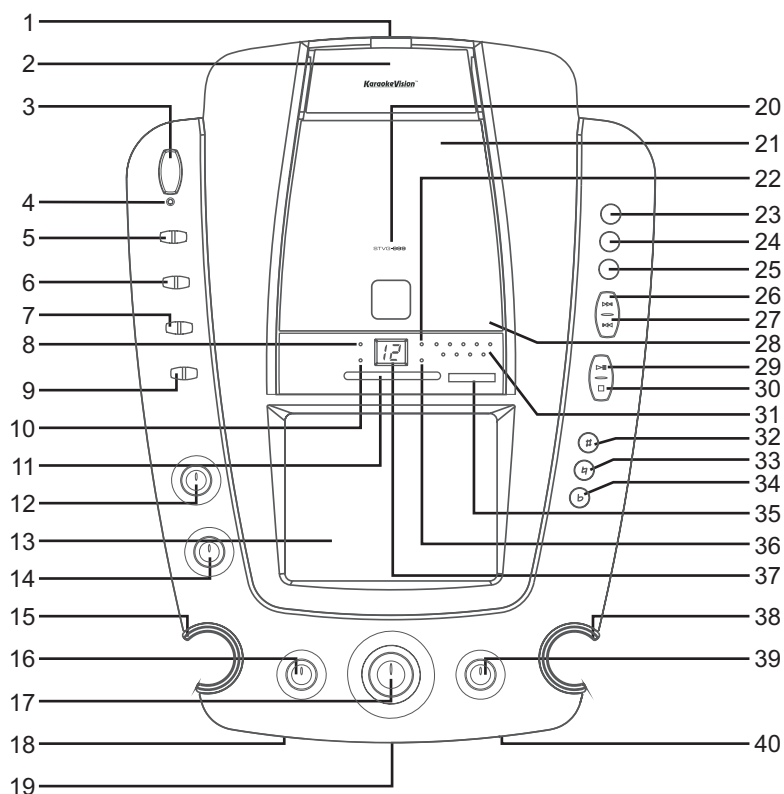
Voyez la localisation des contrôles comme indiqué dans les quelques pages suivantes.



FRANÇAIS

## LOCALISATION DES CONTRÔLES

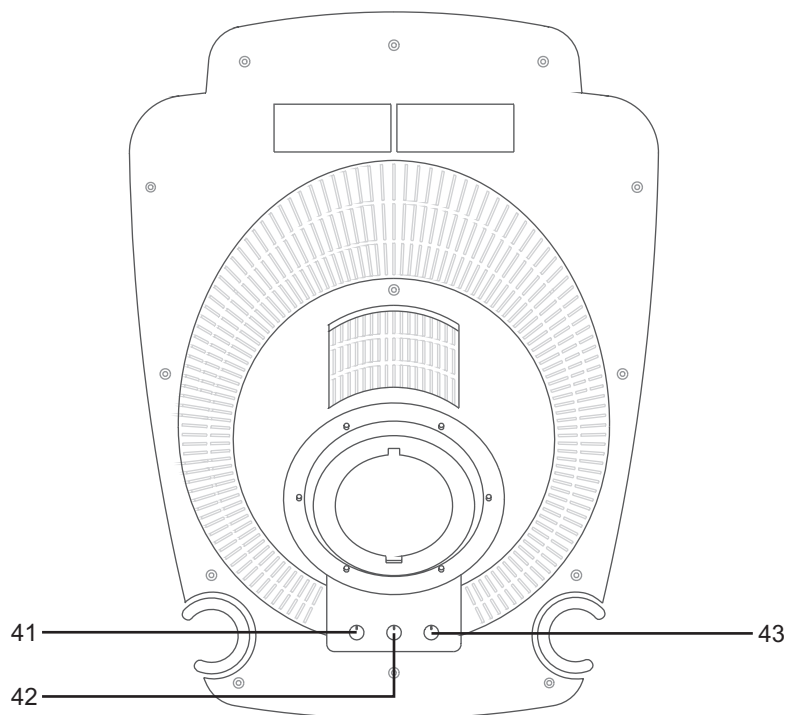
FRANÇAIS



### VUE DE FACE

- |  |  |                                  |
|--|--|----------------------------------|
| 1. Bouton d'ouverture de l'objectif de la caméra | 13. Moniteur                           | 26. Bouton SAUTER ►►             |
| 2. Objectif de Caméra réglable                   | 14. Contrôle de BALANCE                | 27. Bouton SAUTER ◄◄             |
| 3. Bouton Allumer/Eteindre                       | 15. Support de Micro                   | 28. Point OUVRIR / FERMER        |
| 4. LED Allumer/Eteindre                          | 16. Contrôle d'ECHO                    | 29. Bouton LECTURE/ PAUSE        |
| 5. Sélecteur du MONITEUR                         | 17. Contrôle de VOLUME MICRO           | 30. Bouton ARRET                 |
| 6. Sélecteur SORTIE VIDEO                        | 18. Prise jack MIC 1                   | 31. LED de contrôle de Key       |
| 7. Sélecteur de gamme                            | 19. Prise Jack du casque               | 32. Key High                     |
| 8. LED PROGRAMME                                 | 20. Numéro de Modèle                   | 33. Key Flat                     |
| 9. Sélecteur de FONCTION                         | 21. Porte du CD                        | 34. Key Low                      |
| 10. LED REPETITION                               | 22. Indicateur LED REPRODUCTION/ PAUSE | 35. Bouton de syntonisation      |
| 11. Indicateur du Cadran                         | 23. Bouton PROGRAMME                   | 36. LED du CDG                   |
| 12. Contrôle de VOLUME PRINCIPAL                 | 24. Bouton REPETER                     | 37. Affichage Lumineux LED       |
|  | 25. Bouton ALEATOIRE                   | 38. Support de Micro             |
|  |  | 39. Contrôle Automatique de Voix |
|  |  | 40. Prise jack MIC 2             |

## LOCALISATION DES CONTRÔLES



FRANÇAIS

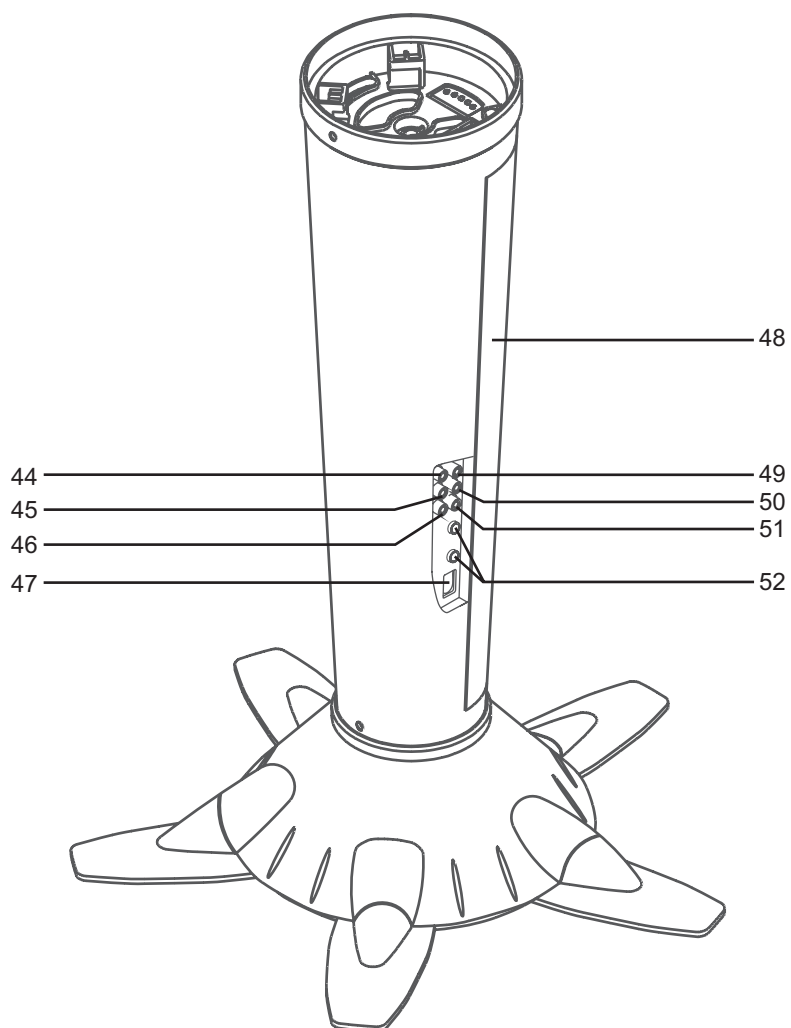
### VUE ARRIÈRE

41. Contrôle de Luminosité  
42. Contrôle du Contraste

43. Contrôles de BALAYAGE  
VERTICAL

## LOCALISATION DES CONTRÔLES

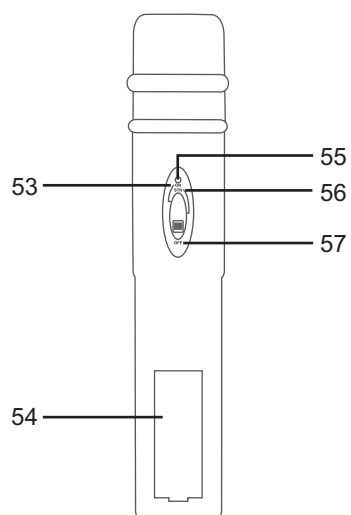
FRANÇAIS



### VUE LATÉRALE

- |  |   |
|--|---|
| 44. Jack d'entrée auxiliaires (Droite) | 48. Haut-parleur                        |
| 45. Jack d'entrée auxiliaires (Gauche) | 49. Jack de sortie auxiliaires (Droite) |
| 46. Prise jack de l'ENTREE VIDEO       | 50. Jack de sortie auxiliaires (Gauche) |
| 47. Jack du Fil d'alimentation AC      | 51. Prise jack de l'SORTIE VIDEO        |
|  | 52. Prises Jacks de HAUT-PARLEUR (D/G)  |

## **EMPLACEMENT DES CONTROLES DU MICRO SANS FIL**



FRANÇAIS

### **MICRO SANS FIL**

53. Posición ON

54. Compartimiento de las pilas

55. Indicateur de LED

56. Posición STANDBY

57. Posición OFF

## LOCALISATION DES CONTRÔLES

### BRANCHEMENT DE L'ALIMENTATION

Vous pouvez brancher le système à une prise AC normale en utilisant le fil d'alimentation fourni.

**AVERTISSEMENT:** Le fil d'alimentation AC fourni possède une prise polarisée qui n'entre dans la prise murale que d'une façon. Si la prise ne rentre pas débranchez et essayez à nouveau. Ne pas forcer.

### CONNEXION DE VOTRE ECOUTEUR

Il y a une prise d'écouteurs pour utiliser un écouteur à la place du haut-parleur. (Les écouteurs sont vendus séparément.)

### BRANCHEZ-LE SUR VOTRE T.V.

Singing Machine est équipée d'un fil de branchement pour être branché à un appareil externe audio / son et / ou à un appareil vidéo. Le fil possède trois prises RCA à chaque extrémité ; la Blanche et la Rouge sont pour les connexions audio gauche et droite, la Jaune est pour la vidéo.

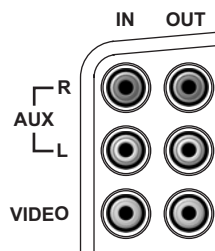
On recommande de faire jouer un disque CDG pendant que vous faites les connexions à votre TV ou Magnétoscope. L'affichage du logo de Singing Machine ou des paroles sur votre écran de TV vous montrera que vous avez connecté votre TV ou Magnétoscope correctement.

### CONNEXION VIDÉO

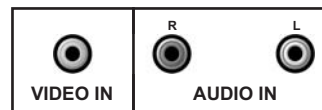
Veillez suivre les étapes ci-dessous pour afficher les paroles du CDG sur Ecran de TV:

- (1) Localisez les fils de connexion multicolores.
- (2) Branchez le câble vidéo (Jaune) à la prise jack de Sortie Vidéo située sur le côté de votre Singing Machine.
- (3) Connectez l'autre extrémité au câble vidéo (jaune) à la ENTREE Vidéo d'une autre source vidéo, telle que MAGNETOSCOPE ou TV.

#### VUE LATÉRALE DE LA SINGING MACHINE



#### VUE ARRIÈRE DE LA TV



SORTIE VIDÉO  
(PRISE JACK JAUNE)

ENTRÉE VIDÉO  
(PRISE JACK JAUNE)

## LOCALISATION DES CONTRÔLES

Si votre téléviseur ne possède pas l'Entrée Vidéo nécessaire, vous aurez besoin d'un Modulateur RF (modulateur de Radio Fréquence), qui fait la connexion au travers de l'Antenne TV ou du câble et sert d'Entrée Vidéo.

Un Modulateur RF peut être acheté chez presque tous les détaillants de matériel électronique. Si vous connectez la vidéo de la Singing Machine que ce soit à l'entrée vidéo d'une TV ou d'un MAGNETOSCOPE, il faut que vous spécifiez la source TV ou MAGNETOSCOPE qui doit être affichée. Le manuel d'utilisation de votre TV ou MAGNETOSCOPE peut vous indiquer comment afficher le signal vidéo à partir de la prise jack vidéo.

Si vous ne possédez pas le manuel de votre TV ou MAGNETOSCOPE, nous suggérons que vous appelez le Service Après-Vente du fabricant de votre TV ou MAGNETOSCOPE. Seul le fabricant pourra vous indiquer rapidement comment configurer votre TV ou MAGNETOSCOPE pour afficher le signal vidéo provenant de la prise jack d'entrée.

\*Note: Certains appareils de TV n'affichent pas le fond bleu standard utilisé normalement par la plupart des CGDs. Si la couleur de fond n'est pas correcte ou si elle clignote, essayez de connecter votre Singing Machine à un tube TV normal.

### MOYENS HABITUELS DE CONFIGURATION DE VOTRE TV OU MAGNETOSCOPE

Votre Singing Machine est conçue pour connecter votre TV de la même façon que vous connectez une caméra vidéo, un MAGNETOSCOPE ou une console de jeu vidéo. La Singing Machine envoie constamment des signaux vidéo et audio aux prises jack Sortie Vidéo et Sortie Aux à chaque fois que vous jouez un CDG. On recommande de faire jouer un disque CDG sur votre Singing Machine avant de faire ces connexions. Vous pourrez voir les paroles sur votre écran de TV dès que l'installation sera terminée. Vous verrez des paroles sur l'écran de TV dès que vous aurez configuré correctement.

Nous nous reportons à TV/MAGNETOSCOPE parce que les fabricants utilisent des moyens très semblables pour connecter les TV et MAGNETOSCOPES et vous pouvez connecter votre Singing Machine à une TV, un MAGNETOSCOPE ou un système via satellite. La configuration de la TV/MAGNETOSCOPE est la partie la plus difficile pour faire les connexions et afficher les paroles de la Singing machine. Dans la plupart des maisons, la TV possède un câble branché ou une antenne en fonctionnement. Une fois votre Singing Machine branchée à votre Téléviseur / Magnétoscope, choisissez l'entrée correcte de votre Téléviseur / Magnétoscope pour afficher les paroles de la Singing Machine au lieu de l'entrée habituelle du câble ou de l'antenne.

Vérifiez le manuel d'utilisation de votre TV/MAGNETOSCOPE pour installer de la manière la plus facile votre appareil particulier de divertissement. Si vous ne possédez pas le manuel de votre TV ou Magnétoscope, veuillez entrer en contact avec le fabricant pour obtenir les informations soit par téléphone soit sur leur site Internet. Ci-dessous nous donnons la liste des moyens les plus fréquents de configurer une TV/MAGNETOSCOPE:

- (1) Dans le menu de configuration de la TV/MAGNETOSCOPE il doit y avoir une option "Sélection d'Entrée" où vous pouvez choisir entre "Câble/Antenne", "Vidéo 1" ou "Vidéo 2" comme source d'entrée.
- (2) Essayez de trouver une chaîne "Vidéo" entre la chaîne la plus basse et la plus haute de votre TV ou Magnétoscope (c'est à dire qu'entre 99 et 2 il pourrait y avoir "VIDEO", "ENTREE" ou "JEU").
- (3) Localisez un bouton sur la télécommande de votre TV / Magnétoscope auquel vous vous connectez et qui fera afficher sur la source d'entrée Vidéo les messages "VIDEO", "VIDEO 1", "JEU", "AUX", "EXT", "LINE 1", "LINE IN" ou éventuellement le bouton "VCR".

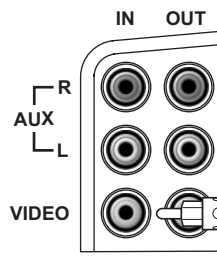
## LOCALISATION DES CONTRÔLES

### CONNEXION D'UN APPAREIL VIDÉO D'ENTRÉE

Veillez suivre les étapes ci-dessous pour afficher les paroles du CDG sur le moniteur de la Singing Machine à partir d'une autre source vidéo:

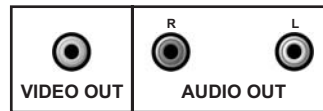
- (1) Localisez les fils de connexion multicolores.
- (2) Connectez le câble vidéo (jaune) à l'ENTRÉE Vidéo située sur le côté de la Singing Machine.
- (3) Connectez l'autre extrémité au câble vidéo (jaune) à la Sortie Vidéo d'une autre source vidéo, telle que MAGNETOSCOPE.
- (4) Mettez le sélecteur de fonction sur auxiliaire et le sélecteur moniteur sur AUX.
- (5) Réglez les boutons de LUMINOSITE, CONTRASTE et DEFILEMENT VERTICAL situés sous le moniteur de votre Singing Machine pour obtenir une meilleure qualité d'image.

#### VUE LATÉRALE DE LA SINGING MACHINE



ENTRÉE VIDÉO  
(PRISE JACK JAUNE)

#### VUE ARRIÈRE DE LA MAGNETOSCOPE

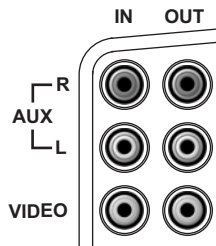


SORTIE VIDÉO  
(PRISE JACK JAUNE)

### CONNEXION AUDIO

Connectez le appareil à votre TV ou à votre appareil stéréo en utilisant les connecteurs Blanc et Rouge du cordon de raccordement fourni. Branchez l'extrémité blanche du cordon de raccordement à la prise jack d sortie blanche du appareil. Branchez l'extrémité rouge du cordon de raccordement à la prise jack d sortie rouge du appareil. Connectez maintenant l'autre extrémité de la fiche blanche (voie de gauche) et rouge (voie de droite) du câble aux prises jacks ENTREE AUDIO OU ENTREE AUX de votre TV ou appareil stéréo.

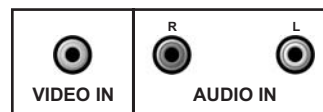
#### VUE LATÉRALE DE LA SINGING MACHINE



SORTIE AUX  
GAUCHE  
(JACKS BLANC)

SORTIE AUX  
DROITE  
(JACKS ROUGE)

#### VUE ARRIÈRE DE LA TV



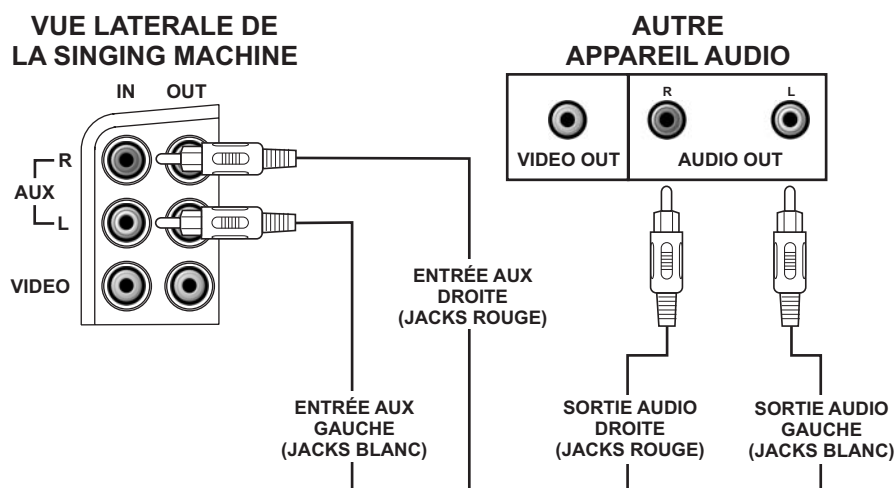
ENTRÉE AUDIO  
DROITE  
(JACK ROUGE)

ENTRÉE AUDIO  
GAUCHE  
(JACK BLANC)

## LOCALISATION DES CONTRÔLES

### CONNEXION D'UN APPAREIL AUDIO D'ENTRÉE

Pour connecter une autre source audio (telle que Tuner, Récepteur AV ou MAGNETOSCOPE) de façon à ce que vous puissiez accompagner cette musique, connectez simplement les prises jack de Sortie Audio (prises jack RCA Rouge et Blanche) aux prises jack ENTREE AUX G & D de la Singing Machine.



FRANÇAIS

### Sélecteur du MONITEUR

- Pour jouer un disque CDG, placez le sélecteur MONITEUR en mode CAMERA / CDG / AUX ou ETEINT.
- Pour afficher les paroles de CDG sur le moniteur de la Singing Machine placez le Sélecteur MONITEUR en mode CDG.
- Pour afficher une image sur le moniteur de la Singing Machine, placez le Sélecteur MONITEUR en mode CAMERA.
- Pour afficher un signal vidéo d'un autre composant A/V, placez le sélecteur de fonction en mode AUX et le sélecteur MONITEUR en mode AUX.
- Pour éteindre le moniteur de la Singing Machine, placez le sélecteur MONITEUR en mode OFF.
- Réglez les boutons de LUMINOSITE, CONTRASTE et DEFILEMENT VERTICAL situés sous le moniteur de votre Singing Machine pour obtenir une meilleure qualité d'image.

### Sélecteur SORTIE VIDEO

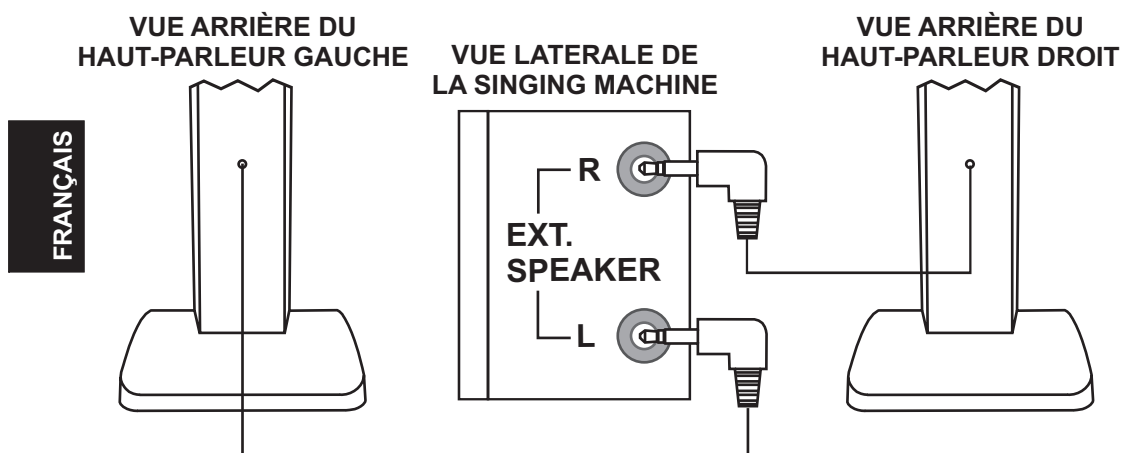
- Pour afficher une image sur la TV, placez le Sélecteur de FONCTION en mode CDG ou AUX et Sélecteur SORTIE VIDEO en mode CAMERA.
- Pour afficher les paroles de CDG sur la TV, placez le Sélecteur de FONCTION en mode CDG et Sélecteur SORTIE VIDEO en mode CDG.

## **LOCALISATION DES CONTRÔLES**

---

### **CONNEXION DE LA SINGING MACHINE**


1. Avant de brancher les haut-parleurs, éteignez votre Singing Machine et réglez le volume principal et le volume du micro au minimum.
2. Branchez les haut-parleurs à votre Singing Machine conformément à l'illustration.
3. Allumez votre Singing Machine. Réglez le volume principal et le volume du micro de votre Singing Machine à un niveau confortable.



## **FONCTIONNEMENT DU CD OU CD+G**

**\* Avertissement - Si vous frappez ou laissez tomber le micro quand il est utilisé, vous pourriez l'endommager définitivement. Résistez à l'envie de faire tourner le micro par le fil!**

### **PRÉPARATION**

- L'appareil est conçu pour jouer des CD possédant le logo d'identification "  ". Si les CD ne sont pas conformes aux normes des CD, ils ne seront pas joués correctement.
- Les empreintes digitales et la poussière doivent être soigneusement nettoyées avec un chiffon doux. Nettoyez en un mouvement droit à partir du centre du disque vers le bord externe.
- Ne jamais utiliser de produits chimiques tels que sprays pour nettoyer les disques, sprays ou fluides antistatiques, benzène ou diluant pour nettoyer un disque compact. Ces produits chimiques endommageront définitivement la surface plastique du disque.
- Placez toujours le disque compact sur le plateau, l'étiquette tournée vers le haut. Les disques compacts peuvent être joués seulement d'un côté.
- Pour retirer un disque de l'étui de rangement, pressez au centre du boîtier et soulevez le disque en le tenant soigneusement par le bord.
- Remettez les disques dans leur boîtier après usage pour éviter la poussière et les rayures.
- Pour éviter de tordre le disque, ne l'exposez pas directement à la lumière solaire, haute humidité ou hautes températures pendant de longues périodes.
- Ne collez de papier ni n'écrivez sur l'une ou l'autre face du disque. Les encres utilisées dans certains feutres peuvent endommager les surfaces du disque.

FRANÇAIS

### **LECTURE DE DISQUE CD OU CD+G**

- Réglez les contrôles de VOLUME PRINCIPAL de votre appareil, TV ou système audio comme vous le désirez.
- Réglez les contrôles MICRO/ECHO/BALANCE comme nécessaire pour obtenir le mélange de musique et voix souhaité sur votre TV ou équipement sonore.
- Ne pas appuyer sur la porte du plateau de CD pendant qu'un CD est joué.
- Ne placez jamais rien sur la Singing Machine. Des objets étrangers pourraient endommager l'appareil.
- Ne pas forcer de trop sur le couvercle du disque.
- Ne placez qu'un seul disque dans le compartiment de CD à la fois.

### **POUR ALLUMER/ETEINDRE**

- Pour allumer votre appareil de karaoké, appuyez sur le bouton ALLUMER / ETEINDRE, le témoin LED ALLUMER / ETEINDRE s'allume.
- Pour éteindre le système, pressez le bouton Allumer/Eteindre à nouveau, l'indicateur LED Allumer/Eteindre s'éteint.

### **SELECTION DE FONCTION**

Placez le sélecteur de FONCTION sur CDG.

### **SÉLECTE MONITEUR**

- Pour jouer un disque CDG, placez le sélecteur MONITEUR en mode CAMERA / CDG /AUX ou ETEINT.
- Pour afficher les paroles de CDG sur le moniteur de la Singing Machine placez le Sélecteur MONITEUR en mode CDG.
- Pour éteindre le moniteur de la Singing Machine, placez le sélecteur MONITEUR en mode OFF.
- Réglez les boutons de LUMINOSITE, CONTRASTE et DEFILEMENT VERTICAL situés sous le moniteur de votre Singing Machine pour obtenir une meilleure qualité d'image.

### **CHARGEMENT D'UN DISQUE**

- Soulevez le couvercle de CD au point OUVRIRE / FERMER. Placez un disque dans le compartiment avec le côté imprimé tourné vers le haut et le côté brillant vers le bas.
- Fermez le compartiment de CD. La fenêtre LED affiche le nombre total de pistes. (Si aucun disque n'est chargé, " - - " est affiché).

**(Voir le Guide de Localisation de Problèmes page F23 si un disque est chargé mais que le nombre total de pistes n'apparaît pas.)**

## FONCTIONNEMENT DU CD OU CD+G

### MODE LECTURE/PAUSE

- Pour commencer à jouer, pressez le bouton LECTURE/PAUSE. La première piste [ / ] et l'indicateur LED REPRODUCTION/PAUSE seront affichés.
- Pour arrêter de jouer momentanément pressez le bouton LECTURE/PAUSE à nouveau. L'indicateur LED LECTURE/PAUSE clignotera.
- Pour arrêter de jouer, pressez le bouton à nouveau.

VEUILLEZ NOTER: Si vous pressez pause quand un CDG joue, les paroles sur le moniteur pourront être distordues. Les distorsions persistent jusqu'à ce que tout l'écran soit restauré au moment d'un arrêt d'un instrument ou quand vous arrêtez la chanson et que vous la rejouez depuis le début.

### MODE ARRÊT

Si le bouton ARRÊT est pressé pendant la reproduction, le disque s'arrêtera de jouer. (Le nombre total de pistes est montré dans la fenêtre LED).

### SAUTER REPRODUCTION (POUR DISQUES CD AUDIO ET CDG)

- En mode ARRÊT vous pouvez sauter de pistes en avant ou en arrière jusqu'au numéro désiré en appuyant sur les bouton SAUTER (◀◀-SKIP-▶▶).
- Pour recommencer à jouer la musique sélectionnée, appuyez sur le bouton LECTURE/PAUSE.

### RECHERCHE (SEULEMENT POUR DISQUES CD AUDIO)

Quand vous jouez un CD audio, pressez et maintenez le bouton SAUTER (◀◀-SKIP-▶▶) et le CD cherchera à grande vitesse en avant ou en arrière. La lecture normale continuera lorsque vous aurez relâché le bouton.

### RÉPÉTER

- Pour répéter la piste actuelle, pressez le bouton REPETITION une fois. L'indicateur LED REPETITION clignote.
- Pour répéter toutes les pistes, appuyez deux fois sur le bouton REPETER. Le témoin LED REPETER s'allume.
- Pour annuler la fonction REPETER, appuyez une fois de plus sur le bouton REPETER. Le témoin LED REPETER s'éteint.

### PROGRAMME

- Utilisez le bouton PROGRAMME pour jouer les chansons en ordre présélectionné.
  - Etape 1: Programmer en mode d'arrêt seulement. Pressez la touche de programmation jusqu'à ce que le témoin lumineux LED s'allume, la piste lira [ 0 ].
  - Etape 2: Pressez le bouton SAUTER (◀◀-SKIP-▶▶) pour sélectionner la piste désirée.
  - Etape 3: Pressez le bouton PROGRAMME pour confirmer l'entrée. Vous pouvez répéter les étapes jusqu'à un maximum de 20 pistes.
  - Etape 4: Pressez LECTURE après avoir terminé de programmer et vous êtes prêt à commencer à chanter.
- Pour vider toutes les mémoires programmées, pressez le bouton ARRÊT.

### TOUCHE DE CONTRÔLE

- En appuyant sur le bouton KEY HIGH / KEY LOW différentes bandes pourront être réglées comme indiqué par le LED.
- Le bouton KEY FLAT est utilisé pour régler le niveau par défaut.
- KEY HIGH est utilisé pour augmenter le niveau.
- KEY LOW est utilisé pour diminuer le niveau.

## **FONCTIONNEMENT DE LA AUTRE ET RADIO AUTRE**

### **RADIO AM/FM**

1. Allumez le bouton Allumer/Eteindre.
2. Placez le sélecteur FONCTION en position RADIO.
3. Placez le Sélecteur de gamme sur la radio AM ou FM.
4. Tournez le bouton de syntonisation sur la station désirée comme indiqué sur le cadran.
5. Réglez le contrôle du VOLUME PRINCIPAL comme vous le désirez.
7. Pour éteindre la radio, placez le sélecteur FONCTION en position CDG ou AUX.

### **ACCOMPAGNEMENT - RADIO**

1. Suivez les instructions pour RADIO AM/RADIO FM.
2. Branchez le Micro fourni à l'une des entrées jack de Micro.
3. Réglez les contrôles de VOLUME PRINCIPAL et VOLUME DU MICRO. Votre voix sera mixée avec la station de radio et sera entendue dans les haut-parleur.

### **EN PUBLIC - UTILISATION DU MICRO**

Appareil peut être utilisé en PA (en public).

En public (PA) Procédures de fonctionnement

1. Branchez le Micro fourni à l'une des entrées jack de Micro.
2. Pressez le bouton Allumer/Eteindre en position ALLUME.
3. Pressez le bouton SELECTION DE FONCTION pour sélectionner la fonction de AUX. Placez le contrôle du VOLUME DU MICRO en position centrale.
4. Placez le bouton Allumer/Eteindre/ ETEINDRE situé sur le Micro en position ALLUMER et parlez ou chantez dans le micro. La sensibilité et le volume du micro peuvent être réglés comme désiré en tournant le contrôle VOLUME MICRO et/ou le contrôle de VOLUME PRINCIPAL.
5. Pour ajouter de la profondeur ou de l'ambiance à votre voix, réglez le contrôle d'ECHO jusqu'à ce que vous obteniez les effets désirés.

**Note:** Pour éviter du retour ou des sifflements, vérifiez que le micro n'est pas trop près de l'appareil.

## **FONCTIONNEMENT DU MICRO SANS FIL SMM-107**

- 1) Soulevez le couvercle du compartiment des piles sur le devant de la poignée.
- 2) Placez une pile de 9 V dans le compartiment comme indiqué en respectant la polarité (+ et -) marquée à l'intérieur du compartiment du micro sans fil
- 3) Remplacez le couvercle.
- 4) L'interrupteur de Micro Sans Fil possède trois positions.:

1. ON - L'interrupteur est en position haut bas. Le micro fonctionnera. L'indicateur lumineux rouge est allumé.

2. STANDBY- L'interrupteur est en position moyen. Le micro ne fonctionnera pas. L'indicateur lumineux rouge est allumé.

**NOTE:** Le but de ce réglage est de conserver une connexion entre le micro et la Singing Machine quand vous vous déplacez dans la zone où vous allez l'utiliser. (Cette fonction peut aussi être considérée comme une fonction silencieuse)

3. OFF - L'interrupteur est en position bas. Le micro ne fonctionnera pas. L'indicateur lumineux rouge est éteint

**NOTE:** Pour garantir une durée de vie plus longue à la pile, vérifiez que les micros sans fil sont bien en position ETEINT quand vous ne vous en servez pas. Quand vous ne vous en servez pas pendant un certain temps, nous vous recommandons de retirer la pile 9V DC.

## **INFORMATION POUR LE MICRO SANS FIL**

---

**Avertissement : Les modifications, bricolages et réglages de cet appareil ou remplacement d'un composant de l'émetteur (cristal, semi-conducteur) de cet appareil pourraient entraîner une violation des réglementations.**

### **AVIS FCC**

Le système de micro sans fil est en accord avec la Partie 90 des Réglementations FCC. Il y a une fréquence disponible pour le système. Il vous faut une licence pour la fréquence que vous avez l'intention d'utiliser avant d'utiliser le système.

Veillez voir le site Internet <http://wireless.fcc.gov/uls/> pour demander la licence ou téléphonez aux bureaux FCC les plus proches et contactez-les pour obtenir la demande nécessaire. L'octroi de la licence dépend de l'utilisation que vous ferez du système.

### **Pour l'exposition aux RF**

"AVIS IMPORTANT": Afin d'obéir aux exigences de conformité FCC concernant l'exposition aux RF, aucun changement de l'antenne ou de l'appareil n'est autorisé. Tout changement apporté à l'antenne ou à l'appareil pourrait entraîner l'augmentation d'exposition RF du système.

### **INFORMATIONS DE SECURITE**

Votre micro sans fil contient un émetteur de basse puissance. Quand l'EUT est allumé il envoie des signaux de radiofréquence (RF). En août 1966 La Commission Fédérale des Communications (FCC) a adopté des règles pour l'exposition aux Radiofréquences avec des niveaux de sécurité pour les appareils sans fil.

### **IMPORTANT**

Afin de respecter les règles FCC d'exposition aux RF, maintenez l'émetteur et l'antenne à au moins 1 pouce (2,5 cm) du visage et parlez normalement, l'antenne orientée vers le haut et loin du visage. Vérifiez que l'antenne est à au moins 1 pouce (2,5 cm) de votre corps quand vous utilisez le micro sans fil.

N'utilisez que l'antenne fournie. Des antennes non autorisées, des modifications ou accessoires pourraient endommager l'émetteur et pourraient violer les règles FCC.

## SOINS ET ENTRETIEN

### ALIMENTATION

Après avoir utilisé le appareil, mettre l'appareil hors tension en appuyant sur le bouton ALLUMER/ETEINDRE.

### NETTOYAGE DE L'APPAREIL

Pour nettoyer l'extérieur de l'appareil, l'essuyer simplement avec un chiffon doux, propre et humecté d'eau tiède.

### NETTOYAGE DE LA LENTILLE LASER DU CD

Pour de meilleurs résultats: Utilisez un disque de nettoyage de la lentille CD conformément aux instructions du fabricant de disque de nettoyage.

Si vous ne trouvez pas de disque de nettoyage de la lentille, utilisez un chiffon en coton propre, doux et sec et nettoyez doucement le petit verre de la lentille laser du lecteur de CD.

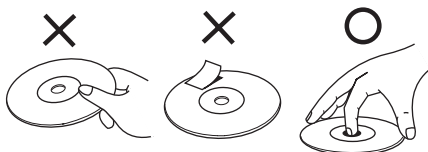


**Pour éviter tout incendie ou choc électrique, débrancher la chaîne stéréo de la prise de courant pendant le nettoyage.**

### DISQUE COMPACT

#### Maniement des disques

Même si les plages de musique d'un disque sont recouvertes d'une pellicule de protection, il est à conseiller de manipuler le disque très soigneusement. Toujours prendre les disques par les bords et les ranger dans leur étui immédiatement après les avoir utilisés.



### NETTOYAGE DES DISQUES

Il n'est généralement pas nécessaire de nettoyer les disques. Toutefois, s'il y a des empreintes de doigts, de poussière ou de saleté, vous pouvez les essuyer avec un chiffon doux sans peluches. Essuyer le disque en mouvements rectilignes allant du centre vers le bord. Vous pouvez d'abord humecter le disque si nécessaire.



**REMARQUE: Ne pas utiliser de détergent ou de produits abrasifs car ils pourraient endommager le disque.**

### LECTEUR CD

Le mécanisme du lecteur est équipé de support autolubrifiant et ne doit pas être huilé ou graissé.

## GUIDE DE LOCALISATION DE PROBLÈMES

Si vous avez suivi les instructions et que vous avez des difficultés à faire fonctionner l'appareil, localisez le PROBLEME dans la colonne de gauche ci-dessous. Vérifiez la CAUSE POSSIBLE correspondante dans la colonne de localisation et réglez le problème.

PROBLÈME	CAUSE POSSIBLE	SOLUTION
Ne s'allume pas quand il est en position ALLUME.	Pas de connexion de la prise d'alimentation à la prise AC.	Insérez la prise d'alimentation dans la prise AC.
Ne s'allume pas quand il est branché.	Le fil d'alimentation n'est pas branché à l'appareil.	Branchez le fil d'alimentation fermement à l'appareil.
Pas de son.	Le Contrôle de Volume est au minimum.	Augmentez le volume.
Pas de son de la TV ou du PA.	La TV ou le PA sont sur minimum.	Augmentez le volume de la TV ou du PA.
	La TV ou le PA sont éteints.	Allumez la TV ou le PA.
	Une fonction incorrecte a été sélectionnée.	Sélectionnez la fonction correcte.
	Les fils de raccordement ne sont pas branchés fermement.	Vérifiez que les fils de raccordement blanc et rouge sont bien branchés dans les deux appareils TV / SYSTEME PA.(pour public).
Le lecteur de CD ne fonctionne pas normalement ou bien le LED affiche : "--", "E" ou "00"	Le Disque a été placé à l'envers.	Insérez le disque correctement.
	Le disque est sale.	Nettoyez avec un chiffon doux.
	Le Disque est rayé.	Utilisez un nouveau disque.
	Le Disque est tordu.	Utilisez un nouveau disque.
	Un disque non conventionnel est inséré.	Utilisez seulement des disques avec l'étiquette standard décrite page F18.
	De l'humidité s'est formée à l'intérieur du Lecteur de CD.	Attendez de 20 à 30 minutes pour laisser sécher.
	La Singing Machine doit être redémarrée.	Débranchez l'appareil de l'alimentation pendant 30 secondes, puis branchez à nouveau.

## GUIDE DE LOCALISATION DE PROBLÈMES

PROBLÈME	CAUSE POSSIBLE	SOLUTION
Pas de son – quand l'audio est connecté à un appareil stéréo domestique.	La sélection de source sur votre appareil stéréo n'est pas configurée correctement.	Sélectionnez ENTREE AUX comme source pour votre appareil stéréo.
	Connexion incorrecte à l'appareil stéréo ou au système PA (public).	Suivez les instructions page F15 pour connecter à votre appareil stéréo.
	Les fils de raccordement ne sont pas branchés fermement.	Vérifiez que les fils de raccordement blanc et rouge sont bien branchés dans les deux appareils stéréo.
Pas de son (si l'audio passe par TV ou MAGNETOSCOPE).	La Sélection de la source de la TV ou du MAGNETOSCOPE n'est pas correcte.	Suivez les instructions page F13 de "Pour faire les connexions".
	Les fils de raccordement ne sont pas branchés fermement.	Vérifiez que les fils de raccordement blanc et rouge sont bien branchés dans les deux Téléviseur / Magnéscope.
Les paroles n'apparaissent pas sur l'écran.	Le câble vidéo n'est pas connecté correctement à la TV.	Raccorder le câble vidéo à la prise de sortie VIDEO OUT du Singing Machine et à la prise d'entrée VIDEO IN du téléviseur.
	Le sélecteur de source de la TV n'est pas placé sur VIDEO.	Utilisez votre télécommande de Télévision pour sélectionner l'entrée VIDEO correcte ou pour sélectionner l'entrée VIDEO correcte sur le Téléviseur lui-même. (Voir page F14 dans la rubrique Moyens courants de configurer votre TV ou Magnéscope)
	La TV ne possède pas d'entrée vidéo.	Connectez la SORTIE VIDEO de l'appareil et ENTREE VIDEO de votre MAGNETOSCOPE, ou connectez-le à un Modulateur RF et ensuite à l'entrée de câble TV. Voir " Pour Faire les Connexions" page F13. Vérifier que le disque est un CDG.
	Un CDG est chargé mais le témoin CDG ne s'allume pas.	Vérifiez que le disque est propre. (Voir page F22 pour les instructions.)

FRANÇAIS

## GUIDE DE LOCALISATION DE PROBLÈMES

PROBLÈME	CAUSE POSSIBLE	SOLUTION
Quand un CDG est joué et que vous chantez au micro, la musique de fond ou les voix sont coupées.	AVC est au maximum.	Réglez AVC sur minimum.
	Joue seulement la piste de musique.	Joue la piste qui comprend la musique et les voix.
L'image saute vers le haut et vers le bas.	Le BALAYAGE VERTICAL n'est pas réglé correctement.	Réglez les contrôles de BALAYAGE VERTICAL.
Aucune image n'apparaît quand on essaie d'utiliser la fonction caméra.	L'objectif de la caméra est vers le bas.	Levez l'objectif de la caméra.
	Le sélecteur du Moniteur n'est pas positionné correctement.	Placez le Sélecteur de MONITEUR en mode CAMERA.
	Le couvercle de l'objectif est sur l'objectif.	Retirez le couvercle de l'objectif.
	Le Contrôle de Luminosité n'est pas réglé correctement.	Réglez les contrôles de Contrôle de Luminosité.
L'affichage est flou.	La caméra n'a pas chauffé.	Attendez une minute jusqu'à ce que la caméra chauffe.
	L'objectif de la caméra est sale.	Nettoyez l'objectif de la caméra.
	L'objectif de la caméra n'est pas focalisé.	Réglez l'objectif de la caméra en faisant tourner doucement vers la gauche ou vers la droite jusqu'à ce que l'affichage soit net. Ne tournez pas trop l'objectif.
La Musique et les Voix passent à grande vitesse.	Le contrôle Key est mis sur Haut.	Réglez le contrôle Key sur Bas.
Quand une piste de CDG avec musique et voix joue avec on n'entend que la musique ou les voix.	Le contrôle de balance est soit à gauche soit à droite.	Réglez le contrôle de balance au milieu.
Le micro sans fil ne fonctionne pas mais le LED est allumé.	Le micro n'est pas en position "ALLUME".	Placez le micro en position "ALLUME".
	Le micro est en position "STN".	
	La pile est usée.	Changez la pile.
Le micro utilisé avec le fil ne fonctionne pas.	Le micro n'est pas en position "ALLUME".	Placez le micro en position "ALLUME".
	Le micro n'est pas branché fermement à la prise jack.	Vérifiez que le micro est bien branché à la prise jack 1 ou 2.

## DÉTAILS TECHNIQUES

<b>SECTION AUDIO:</b> <b>UNITÉ PRINCIPALE</b> ALIMENTATION DE SORTIE (MAXIMUM) IMPÉDANCE DE SORTIE <b>HAUT-PARLEURS TOURS</b> ALIMENTATION DE SORTIE (MAXIMUM) IMPÉDANCE DE SORTIE	7 WATTS (RMS) 3 OHMS 7 WATTS (RMS) 3 OHMS
<b>SECTION DU LECTEUR DE CD:</b> RÉPONSE DE FRÉQUENCE RAPPORT SIGNAL - BRUIT BRUIT ET CHUINTEMENT D - A CONVERSION NOMBRE DE PROGRAMMES SYSTÈME D'ÉCHANTILLONNAGE	100 Hz - 20 kHz (+/-3 dB) 50 dB (A-WTD) INCOMMENSURABLE 1-BIT DAC PROGRAMMATION ALÉATOIRE À 20 TOURS ANTICRÉNELAGE 8 FOIS
<b>SECTION MONITEUR</b>	MONITEUR TV NOIR ET BLANC 7" SYSTÈME NTSC RÉSOLUTION DE 220 LIGNES
<b>SECTION RADIO:</b> GAMME DE FRÉQUENCE AM GAMME DE FRÉQUENCE FM	530-1710 kHz 88-108 MHz
<b>MICRO AVEC FIL</b>	IMPÉDANCE -74 dB 600 OHMS AVEC MICRO DYNAMIQUE Ø6,3mm
<b>SECTION ALIMENTATION</b>	AC 110V-120V~60Hz
<b>DIMENSIONS (H x L x P)</b>	37,5 x 17,7 x 17,1 Pouces / 95,2 x 45,0 x 43,5 Centimètres
<b>POIDS</b>	29,5 lbs / 13,4 kgs
<b>ACCESSOIRES</b>	1. DISQUE CD+G PRÉENREGISTRÉ DE KARAOKÉ 2. CÂBLE AV 3. MICRO SANS FIL 4. VIS 5. Fil d'ALIMENTATION AC

FRANÇAIS

Les spécifications sont typiques, les appareils individuels peuvent varier. Ils sont sujets à des améliorations continues sans avis préalable et sans faire encourir aucune obligation.

## **GLOSSAIRE DES TERMES DU KARAOKÉ SINGING MACHINE**

En plus de la terminologie associée avec les appareils électroniques de consommation, des termes supplémentaires sont utilisés presque exclusivement pour le karaoké. Ces termes servent à vous familiariser avec l'univers du Karaoké. Les caractéristiques énumérées ci-dessous, ne s'appliquent **peut-être pas** nécessairement au modèle particulier du Singing Machine que vous avez. Voici une brève explication des termes Karaoké:

### **Écho:**

L'écho ajoute de la profondeur et de la résonance à la voix du chanteur sans toutefois modifier la musique. Cet écho est produit en créant une répétition mineure et contrôlée dans la voix du chanteur.

### **Multiplex:**

Nos enregistrements multiplex contiennent 2 copies de la même chanson. Une version est l'enregistrement en stéréophonie de la chanson sans la voix du chanteur leader. La seconde version est enregistrée avec la musique et le chœur sur le canal de gauche et la voix du chanteur leader enregistrée sur le canal de droite. Cet enregistrement à 'pistes divisées' vous permet de contrôler le volume de la voix du chanteur leader en réglant le bouton de la balance. Vous pouvez chanter en duo avec le chanteur leader ou utiliser la voix du chanteur leader comme guide pour apprendre la chanson et en la faiblissant progressivement avec le réglage de la balance vous serez capable de chanter la chanson tout seul.

### **Auto Voice Control (AVC) - Contrôle automatique de la voix:**

Lorsque la fonction AVC est activée, le chant d'un enregistrement multiplex s'arrête dès que le chanteur aura chanté au microphone. Quand le chanteur arrête de chanter, le chant d'un enregistrement multiplex se réactive automatiquement. Cette fonction est utile surtout pendant l'apprentissage d'une nouvelle chanson. Veuillez noter que la fonction AVC marche seulement avec l'enregistrement multiplex et ne marche pas avec les enregistrements sonores ordinaires.

### **Pitch Control - Contrôle de la hauteur:**

Cette fonction contrôle la hauteur de la musique en réglant la vitesse de la lecture de la cassette. En augmentant la vitesse de la cassette, la musique a un son plus aigu (haut). En diminuant la vitesse de la cassette, la musique a un son plus bas.

### **Key Controller - Régulateur du ton:**

Le régulateur du ton change le ton de la musique du CD/CDG (en appuyant + ou -) pour l'adapter à la voix du chanteur.

### **CDG:**

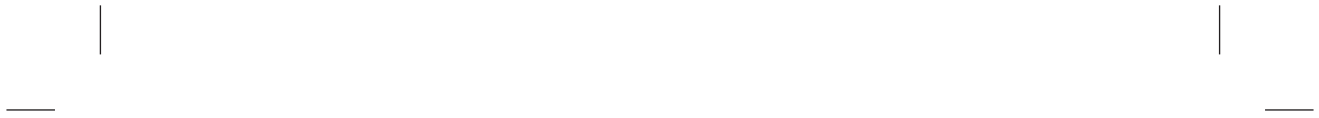
C'est un acronyme pour *Compact Disc plus Graphics* (disque compact et graphiques). Vous allez aussi voir les variantes CD+G et CD+Graphiques. C'est un CD audio régulier avec information emmagasinée sur une piste de données, simultanément à la musique. En termes simples, un CDG a une sortie vidéo pour simples graphiques (il ne s'agit pas d'un vidéo à mouvements complets). Dans le cas du Karaoké, la fonction graphique est utilisée pour emmagasiner les paroles des chansons et pour afficher les paroles en harmonie avec la musique. Dans la plupart des cas, le logiciel CDG affiche les paroles avec un changement de couleur lorsqu'elles doivent être chantées. Vous n'avez besoin que d'un téléviseur ordinaire pour afficher les paroles d'un CDG.

**REMARQUE:** CDG est un type particulier de système de codification de disque compact qui est différent du VCD et du DVD. Votre Singing Machine peut décoder les disques audio compacts ordinaires et les disques CDG. Il ne lira pas les disques codifiés VCD ou DVD.

Les disques audio ordinaires et les cassettes n'afficheront pas les paroles sur votre écran de téléviseur. Les CD audio n'ont pas le logiciel nécessaire pour afficher les paroles.







The Singing Machine Company, Inc.

999-0505-ENG-SPA-FRE01

6601 Lyons Road, Bldg. A7, Coconut Creek, FL33073-9902, USA.  
TEL: (954) 596-1000 FAX: (954) 596-2000

PRINTED IN CHINA  
IMPRESO EN CHINA  
IMPRIMÉ EN CHINE

**VISIT OUR WEBSITE [www.singingmachine.com](http://www.singingmachine.com)**  
**VISITE NUESTRO SITIO INTERNET [www.singingmachine.com](http://www.singingmachine.com)**  
**VISITE NOTRE SITE INTERNET [www.singingmachine.com](http://www.singingmachine.com)**